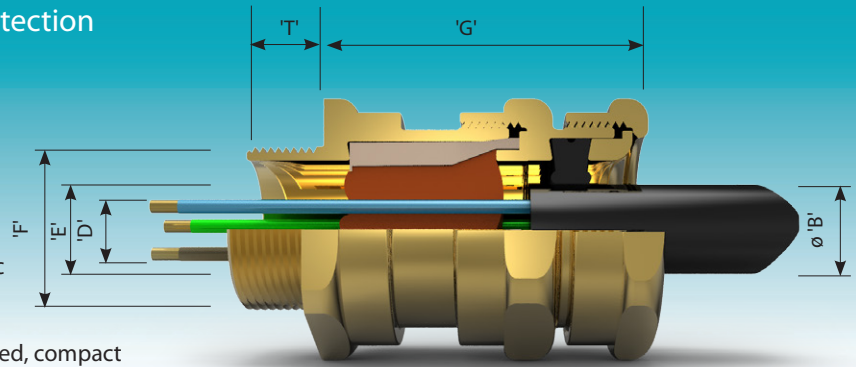


Group II Cable Glands

Flameproof, Increased Safety, Dust Protection
Class - Zones - Divisions
Certified ATEX / IECEx / c CSA us

Application

- Outdoor or indoor use.
- For use with non-armoured elastomer and plastic insulated cables.
- For particular use with:-
 - Cable inner sheaths that are not effectively filled, compact and/or circular, have tape bedding or have hygroscopic fillers.
 - Cables that exhibit 'Cold Flow' characteristics.
 - Enclosures containing an ignition source in gas group IIC areas or containing an ignition source in a Zone 1 area and exceeding 2 litres in volume.
- See technical section for installation rules and regulations.



CABLE GLAND SELECTION TABLE

Size Ref.	Entry Thread Size 'F'		Cable Acceptance Details								'G'	Hexagon Dimensions	
			Inner Sheath / Cores				Outer Sheath 'B'					Across Flats	Across Corners
	Metric	NPT * Standard or Option	'D' Max. Over Cores	'E' Max. Inner Sheath	NOTE 1 Max. No. of Cores	NOTE 2 Max. No. of Cores	Standard Seal		Alternative Seal (S)				
Os	M20	½"	8.0	8.0	12	6	3.0	8.0	-	-	56.4	24.0	26.5
O	M20	½"	8.9	10.0	12	6	6.5	11.9	-	-	56.4	24.0	26.5
A	M20	¾" or ½"	11.0	12.5	15	10	10.0	14.3	8.5	13.4	55.8	30.0	32.5
B	M25	1" or ¾"	16.2	18.4	30	21	13.0	20.2	9.5	15.4	58.8	36.0	39.5
C	M32	1¼" or 1"	21.9	24.7	42	42	19.0	26.5	15.5	21.2	62.0	46.0	50.5
C2	M40	1½" or 1¼"	26.3	29.7	60	60	25.0	32.5	22.0	28.0	64.5	55.0	60.6
D	M50	2" or 1½"	37.1	41.7	80	80	31.5	44.4	27.5	34.8	72.8	65.0	70.8
E	M63	2½" or 2"	47.8	53.5	100	100	42.5	56.3	39.0	46.5	77.0	80.0	88.0
F	M75	3" or 2½"	59.0	66.2 / 65.3 ¹	120	120	54.5	68.2	48.5	58.3	80.7	95.0	104.0

¹T' — Metric entry threads are 1.5mm pitch as standard, 15mm length of thread. All dimensions in millimetres (except * where dimensions are in inches). Note 1: ATEX / IECEx certification only - Note 2: All other certification.

¹Smaller value is applicable when selecting reduced NPT entry option.

Technical Data

ATEX/IECEx

- Flameproof Exd IIC Gb, Increased Safety Exe IIC Gb and Dust Extb IIIC Db Ⓢ II 2 GD.
- Certificate No's: Baseefa06ATEX0058X and IECEx BAS 06.0015X.
- Suitable for use in Zone 1, Zone 2, Zone 21, Zone 22 and in Gas Groups IIA, IIB and IIC.
- Construction and Test Standards: IEC/EN 60079-0, IEC/EN 60079-1, IEC/EN 60079-7 and IEC/EN 6079-31.
- Ingress Protection: IP66, IP67 and IP 68 (30 metres for 7 days) to IEC/EN 60529 and NEMA 4X.
- Deluge Protection to DTS01.
- Operating Temperature Range: -60°C to +80°C.
- Assembly Instruction Sheet: AI 305.

c CSA us

- Flameproof AExd IIC Gb, Increased Safety AExe IIC Gb and Dust AExtD Zone 21.
- Explosion-proof Class 1 Division 2 Groups ABCD, Class II Division 2 Groups EFG, Class III.
- Certificate No's: CSA1015065 for Marine Shipboard Cable.
- Construction and Test Standards: UL 60079-0, UL 60079-1, UL 60079-7, ISA 60079-31, CSA 22.2 No: 60079-0, CSA 22.2 No: 60079-1, CSA 22.2 No: 60079-7, CSA 22.2 No: 60079-31, UL 2225

Features

- Provides an inspectable, repairable barrier seal to the individual insulated cores within the cable, and prevents entry of the products of an explosion into the cable.
- Assembly of the cable gland compresses and distributes the compound evenly to create a barrier seal at the point of entry into the enclosure.
- Provides a cable retention seal onto the cables outer sheath.
- Manufactured in Brass (standard), Nickel Plated Brass, 316 Stainless Steel or Aluminium.
- Brass NPT entries are nickel plated as standard.

Ordering Information

Format for ordering is as follows:

Alternative Seal (S), add suffix S to ordering information.

Cable Gland Type	Size	Thread	Material	(Optional)
ICG 623	C	M32	Brass	S
ICG 623	C	1 ¼" NPT	Brass	S

Two part sealing compound and assembly instructions are supplied with the cable gland.