


SUBMITTALS

Voltamp Electrical Contractors, Inc.

voltampelectrical@gmail.com

NYCT Contract # P-36472

REHABILITATION OF 239TH STREET
CIRCUIT BREAKER HOUSE # 210
IN THE BOROUGH OF THE BRONX

ITEM	472-18W-018
Document/Item#	472-18W-018_Light/heater switches.
Revision/Date	0 (dated 9/25/17)
Reference Spec Section	18W-3.5
Description	Light/heater switches
Manufactured By	Wohner GmbH & Co., Hubbell and Telergon
Model #	31971 and ZFV32 VZVH4 A2
Quantity	As Required
Where Used	CBH 210
How Used	
Notes or Comments	This is the revision for 472-16S-001_Switches TSW106 CIB 106.
Approved by Quality Manager:	Megha Patel
Approved by Traction Power Engineer:	

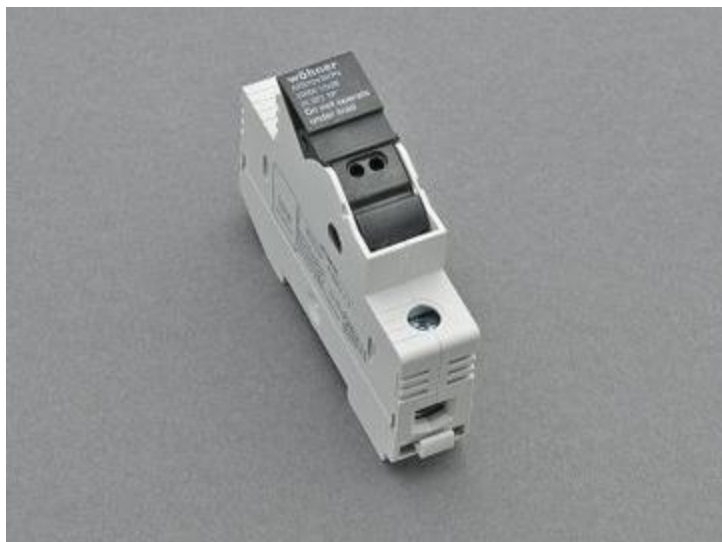
mp

DATE: 9/25/17

FOR APPROVAL

NEW YORK CITY TRANSIT AUTHORITY DEPARTMENT OF CAPITAL PROGRAM MANAGEMENT CONTRACT: <u> P - 36472 </u>		
DISPOSITION		
<input checked="" type="checkbox"/>	APPROVED	<input type="checkbox"/> APPROVED AS NOTED
<input type="checkbox"/>	DISAPPROVED	
<input type="checkbox"/>	UNACCEPTABLE FOR EVALUATION	
SUBJECT TO THE TERMS AND CONDITIONS OF THE CONTRACT		
By	G. Khodos, PE	Project Engineer
	ENGINEER/ARCHITECT	TITLE
		DATE
		10/06/17

holder for cylindrical fuses (31971)



NEW YORK CITY TRANSIT AUTHORITY DEPARTMENT OF CAPITAL PROGRAM MANAGEMENT CONTRACT: P - 36472		
<u>DISPOSITION</u>		
<input checked="" type="checkbox"/>	APPROVED	() APPROVED AS NOTED
()	DISAPPROVED	
()	UNACCEPTABLE FOR EVALUATION	
SUBJECT TO THE TERMS AND CONDITIONS OF THE CONTRACT		
By	G. Khodos, PE	Project Engineer
	ENGINEER/ARCHITECT	TITLE
		10/06/17
		DATE

Description

Article

Part No.: 31971

AMBUS® Panel

holder for cylindrical fuses

10 x 38 / 1P

30A / 1000V DC

System

DIN rail

Product group 17

Subgroup 06

pack size 12

EAN 4021267319717

Advantages of the product

large clamping range

holder for label

Catalog page 2015 : 6/1

eCl@ss 6.1 27142190
eCl@ss 7.1 27142190
ETIM 4.0 EC002705
ETIM 5.0 EC002705

NEW YORK CITY TRANSIT AUTHORITY DEPARTMENT OF CAPITAL PROGRAM MANAGEMENT CONTRACT: P - 36472		
DISPOSITION		
<input checked="" type="checkbox"/>	APPROVED	() APPROVED AS NOTED
<input type="checkbox"/>	DISAPPROVED	
<input type="checkbox"/>	UNACCEPTABLE FOR EVALUATION	
SUBJECT TO THE TERMS AND CONDITIONS OF THE CONTRACT		
By	G. Khodos, PE	Project Engineer
	ENGINEER/ARCHITECT	TITLE
		10/06/17
		DATE

Approvals

Standards

IEC 60269-1:2006 + A1:2009 + A2:2014
IEC 60269-2:2013

Approvals

IEC (CB), CSA, UL, CCC



for UL feeder circuits >250V

Type number: AES10x38/PV

UL file: E342576, UL category (for USA): IZMR <http://www.ul.com>
CSA file: 110285, CSA class: 6225-01 <http://directories.csa-international.org>
CCC certificate: 2013010308601276

Product data

Electrical data

Rated current (IEC): 30 A
Rated voltage (IEC) DC: 1000
V

Rated current (UL): 30 A
Rated voltage (UL) DC: 1000
V

Power dissipation:

The power dissipation at a typical load of 80% of the rated current results to 0.2 W.
(The power dissipation for operation with rated current would be 0.3 W.)

rated isolation voltage U_i (AC): 1000
V
Rated surge voltage U_{imp} : 6 kV
max. permitted voltage (IEC) DC: 1000
V

NEW YORK CITY TRANSIT AUTHORITY DEPARTMENT OF CAPITAL PROGRAM MANAGEMENT CONTRACT: P - 36472		
<u>DISPOSITION</u>		
<input checked="" type="checkbox"/>	APPROVED	() APPROVED AS NOTED
()	DISAPPROVED	
()	UNACCEPTABLE FOR EVALUATION	
SUBJECT TO THE TERMS AND CONDITIONS OF THE CONTRACT		
By	G. Khodos, PE	Project Engineer
	ENGINEER/ARCHITECT	TITLE
		DATE

cond. rated short-circuit current with fuses: 20 kA / 1000V
approved with fuse links of characteristics: gPV

SCCR: 33 kA

for fuse links as per IEC 60269-6 with power dissipations up to max. 4W
use of fuse links with silver plated caps is recommended

Mechanical data

W x H x D: 18 x 81 x 58
Weight: 5.2 kg/100
Poles: 1-pole

degree of protection: IP20
front degree of protection: IP20

Terminal points

for applications acc. to IEC / EN :

1 wire:

Cu 0,75 - 25 mm²

2 wires (of same cross-section):

Cu 0,75 - 10 mm²

flexible cables, directly or with wire-end ferrule

(flexible cables of max. cross-section may not fit when using wire-end ferrule)

Md 2,0 - 2,5 Nm / 18 - 22 lb.in.

for applications acc. to UL / CSA :

only Cu cables acc. to UL 486E

1 wire:

AWG 18 - AWG 8, Class B, Md 2,0 - 2,5 Nm / 18 - 22 lb.in.

AWG 6 - AWG 4, Class C, Md 2,5 - 3,0 Nm / 22 - 26 lb.in.

2 wires (of identical cross-section):

AWG 18 - AWG 8, Class B, Md 2,0 - 2,5 Nm / 18 - 22 lb.in.

AWG 6, Class C, Md 2,0 - 2,5 Nm / 18 - 22 lb.in.

Material properties

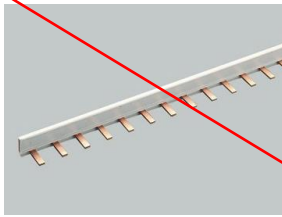
Main body: temperature stability 125°C,
self-extinguishing in acc. to UL 94,
creepage resistance CTI 600,
halogen-free

Fuse carrier: temperature stability 140°C,
self-extinguishing in acc. to UL 94,
creepage resistance CTI 200,
halogen-free

Connecting screw +/- (PZ2), galvanized, chromized
screws:

NEW YORK CITY TRANSIT AUTHORITY DEPARTMENT OF CAPITAL PROGRAM MANAGEMENT CONTRACT: P - 36472		
<u>DISPOSITION</u>		
<input checked="" type="checkbox"/>	APPROVED	() APPROVED AS NOTED
()	DISAPPROVED	
()	UNACCEPTABLE FOR EVALUATION	
SUBJECT TO THE TERMS AND CONDITIONS OF THE CONTRACT		
By	G. Khodos, PE	Project Engineer
	ENGINEER/ARCHITECT	TITLE
		10/06/17
		DATE

Accessories



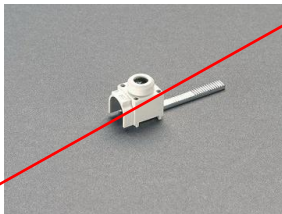
31101

comb type busbar, insulated, 1-pole, bridge type
80 A, pitch 18 mm, 1 m long
16 mm²



31103

connecting terminal, side connection
for 31101 and 31102
6 - 25 mm²



31157

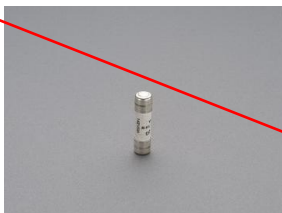
connecting terminal, front connection
for 31101 and 31102
6 - 25 mm²



31544

cylindr. fuse link 10 A
1000 V, gPV type
10 x 38

NEW YORK CITY TRANSIT AUTHORITY DEPARTMENT OF CAPITAL PROGRAM MANAGEMENT CONTRACT: P-36472		
<u>DISPOSITION</u>		
<input checked="" type="checkbox"/>	APPROVED	() APPROVED AS NOTED
()	DISAPPROVED	
()	UNACCEPTABLE FOR EVALUATION	
SUBJECT TO THE TERMS AND CONDITIONS OF THE CONTRACT		
By	G. Khodos, PE	Project Engineer
	ENGINEER/ARCHITECT	TITLE
		10/06/17
		DATE



31545

cylindr. fuse link 12 A
1000 V, gPV type
10 x 38



31546

cylindr. fuse link 16 A
1000 V, gPV type
10 x 38

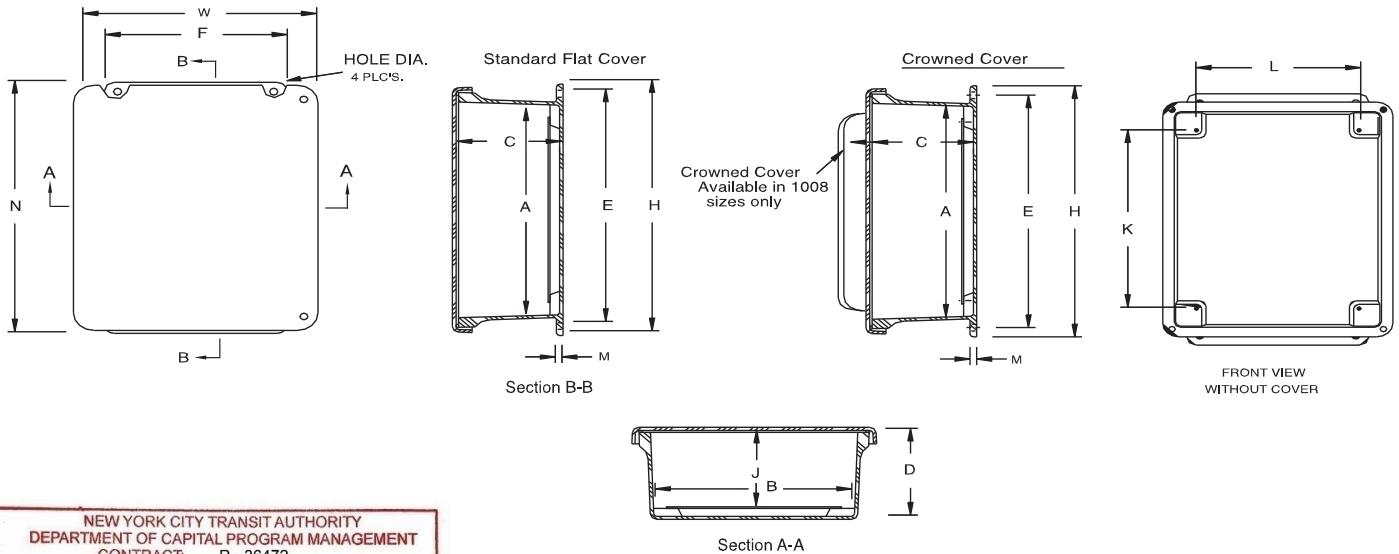
**JIC SERIES NON-METALLIC ENCLOSURES
OPAQUE, HINGED COVER WITH QUICK RELEASE LATCHES AND WINDOW**

E67

DIMENSIONS FOR JIC SERIES NON-METAL ENCLOSURES									
PART NUMBER	ENCLOSURE OVERALL SIZE HxWxD	ENCLOSURE INSIDE AxBxC	MOUNTING ExF	J	K	L	M	N	HOLE DIA.
HW-J60404SC	7.50 x 5.43 x 4.75 (191 x 138 x 121)	5.84 x 3.85 x 4.45 (148 x 98 x 113)	6.75 x 2 (171 x 51)	4 (101)	4.25 (108)	2.25 (57)	0.25 (6)	7.39 (188)	0.31 (8)
HW-J60604SC	7.50 x 7.50 x 4.75 (191 x 191 x 121)	5.72 x 5.72 x 4.45 (145 x 145 x 113)	6.75 x 4 (171 x 101)	4 (101)	4.25 (108)	4.25 (108)	0.25 (6)	7.52 (191)	0.31 (8)
HW-J80604SC	9.62 x 7.50 x 4.74 (244 x 191 x 121)	7.73 x 5.74 x 4.45 (196 x 146 x 113)	8.88 x 4 (225 x 101)	4 (101)	6.25 (159)	4.25 (108)	0.25 (6)	9.5 (242)	0.31 (8)
HW-J100804SC	11.62 x 9.41 x 4.25 (295 x 239 x 108)	9.73 x 7.73 x 3.98 (247 x 196 x 101)	10.75 x 6 (273 x 152)	3.5 (89)	8.25 (209)	6.25 (159)	0.25 (6)	11.35 (288)	0.31 (8)
HW-J100805SC (crowned cover)*	11.62 x 9.37 x 5.06 (295 x 238 x 129)	9.73 x 7.73 x 4.83 (247 x 196 x 123)	10.75 x 6 (273 x 152)	4.37 (111)	8.25 (209)	6.25 (159)	0.25 (6)	11.37 (289)	0.31 (8)
HW-J121005SC	13.56 x 11.43 x 5.21 (344 x 291 x 132)	11.79 x 9.80 x 4.94 (299 x 249 x 125)	12.75 x 8 (324 x 203)	4.5 (114)	10.25 (260)	8.25 (209)	0.25 (6)	13.41 (341)	0.31 (8)
HW-J141206SC	15.50 x 13.50 x 6.25 (394 x 343 x 159)	13.53 x 11.55 x 5.94 (344 x 293 x 151)	14.62 x 10 (371 x 254)	5.37 (137)	12.25 (311)	10.25 (260)	0.25 (6)	15.47 (393)	0.31 (8)
HW-J161406SC	17.53 x 15.46 x 6.23 (445 x 393 x 158)	15.63 x 13.60 x 5.94 (397 x 345 x 151)	16.75 x 12 (425 x 305)	5.36 (136)	14.25 (362)	12.25 (311)	0.25 (6)	17.45 (443)	0.31 (8)
HW-J181608SC	19.62 x 17.61 x 8.82 (498 x 447 x 224)	17.69 x 15.69 x 8.45 (449 x 399 x 215)	18.88 x 12 (479 x 305)	7.99 (203)	16.25 (413)	14.25 (362)	0.25 (6)	19.61 (498)	0.31 (8)
HW-J201608SC	22.00 x 17.68 x 8.83 (559 x 449 x 224)	19.72 x 15.72 x 8.45 (501 x 399 x 215)	21.25 x 10.00 (540 x 254)	8 (203)	18.25 (464)	14.25 (362)	0.25 (6)	21.68 (551)	0.31 (8)

Note: Dimensions in inches (millimeters); letters in table correspond to letters on dimensional drawings.

Note: Base Part Number denotes enclosure size only. Defining alphabetical characters are represented by an asterisk(for example: HW-J60604* denotes dimensions for HW-J60604SC, HW-J60604CHSC, HW-J60604CHQR, HW-JCC60604CHQRW, or HW-J60604CHTLW. Do not use Base Part Numbers to order enclosures. Use only complete part numbers when ordering.



NEW YORK CITY TRANSIT AUTHORITY
DEPARTMENT OF CAPITAL PROGRAM MANAGEMENT
CONTRACT: P - 36472

DISPOSITION

APPROVED () APPROVED AS NOTED

() DISAPPROVED

() UNACCEPTABLE FOR EVALUATION

SUBJECT TO THE TERMS AND CONDITIONS OF THE CONTRACT

By G. Khodos, PE Project Engineer 10/06/17
ENGINEER/ARCHITECT TITLE DATE

Data sheet:

**DC-Load break switch
Model ZFV32 VZVH4 A2**

Motion Technologies, Inc.
480-303-9155
Andy Gates
Scott Petty



Quality Telergon, S.A.U.

ISO 9001 & 14001



Electrical data (UL508)

Amperage-rating "General Use"	25A
Operational voltage (V)	600

Electrical data (according to IEC60947-3)

Voltage (DC)	Category of operation	I _e
600 V	DC21B	32
700 V		27
800 V		23
900 V		20
1000 V		13
1200 V		10
1500 V	5	

Technical data:

Maximum cable cross sections		
Solid or stranded	AWG	12-10
Flexible	AWG	12-6
Flexible (+ multi-core cable end)	AWG	12-6
Size of terminal screw		M4Pz2
Tightening torque	lb.inch	11-6
Fuse Size (RK5)		
5kA / 600V	A	60

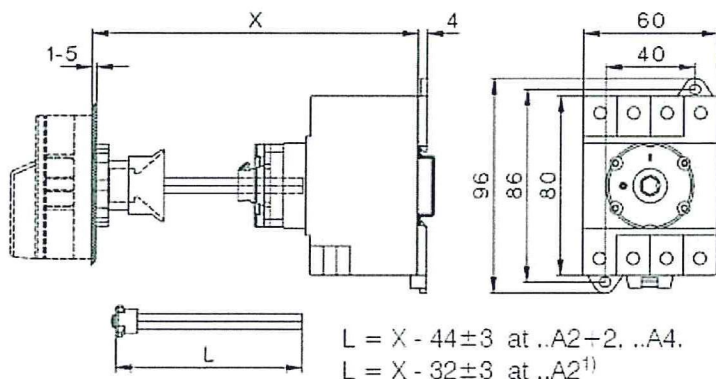
NEW YORK CITY TRANSIT AUTHORITY
DEPARTMENT OF CAPITAL PROGRAM MANAGEMENT
CONTRACT: P-36472

DISPOSITION

APPROVED () APPROVED AS NOTED
 DISAPPROVED
 UNACCEPTABLE FOR EVALUATION

SUBJECT TO THE TERMS AND CONDITIONS OF THE CONTRACT

By: G. Khodos, PE Project Engineer 10/06/17
ENGINEER/ARCHITECT TITLE DATE



delivered with: ..A2+2, ..A4. :
 $X_{max} = 194, L = 150$
($X_{min} = 95$)

delivered with: ..A2
 $X_{max} = 182, L = 150$
($X_{min} = 83$)

greater X-Dimensions on request

You will find detailed information about our products on our web site www.telergon.es



**DC Switch-Disconnecter
ZFV32 VZVH4A2**

TELERGON, S.A.U.
Data subject to change without notice (printed: 17/01/2014)