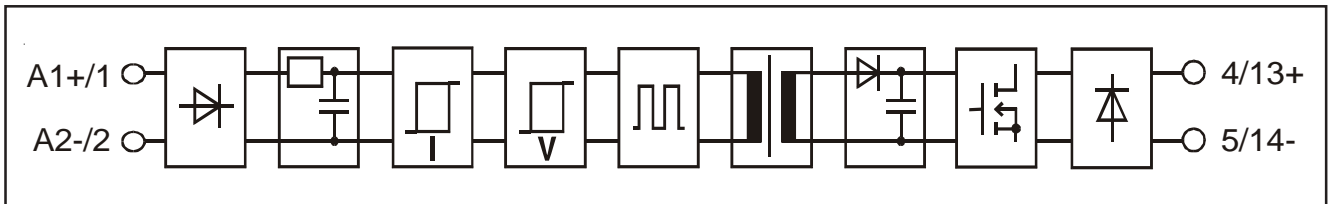


Mechanical specifications for SLI DIN-rail relays

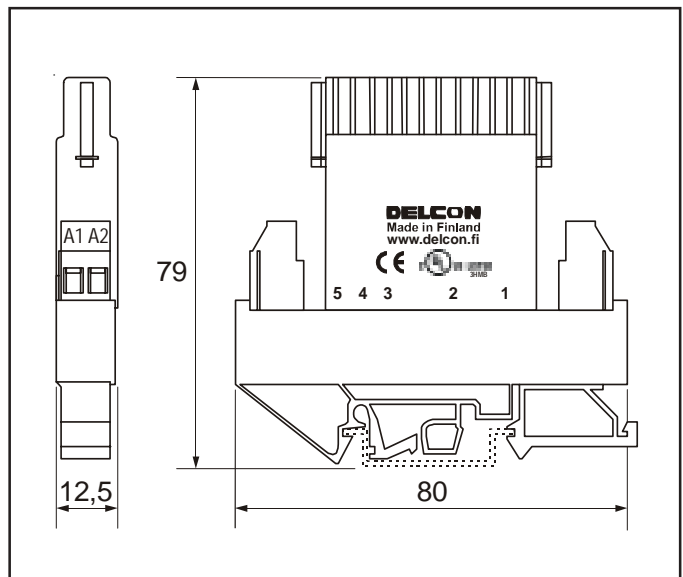
- DIN-rail mount input relays
- Works without logic supply (4 pole)
- Integrated status LED

Typical block diagram



Physical dimensions and other data

| | | |
|-----------------------|---------------------|--------------|
| Breakdown voltage | minimum | 4300 VAC rms |
| Materials: | | |
| housing | thermoplastic | UL 94 V-0 |
| socket | thermoplastic | UL 94 V-2 |
| Weight | typical | 60 g |
| Air/creepage distance | minimum | 8 mm |
| Capacitance I/O | typical | 3 pF |
| Screw terminals: | | |
| solid wire | 4 mm ² | (AWG 12) |
| stranded | 2,5 mm ² | (AWG 14) |
| Torque | | 0,5...0,6 Nm |



Dimensions in mm.

Technical specifications and approvals

Detailed specifications and approval situation from individual data sheets. The relays fulfil requirements of the low voltage directive 2006/95/EC.

Guarantee

The solid state I/O relays and accessories made by Delcon Oy are guaranteed free from design and manufacturing defects for a period of three years from the shipping date. For electromechanical relays the guarantee is one year. The guarantee liability is limited to replacement of defective material and related shipping charges. Defective products must be returned to the manufacturer for evaluation. This guarantee does not cover damage due to incorrect use or electrical overload.

Delcon Oy
Veikkointie 4
03100 Nummela
Finland

Tel. +358 9 7771180
Fax +358 9 77711840
www.delcon.fi

4.11.2010