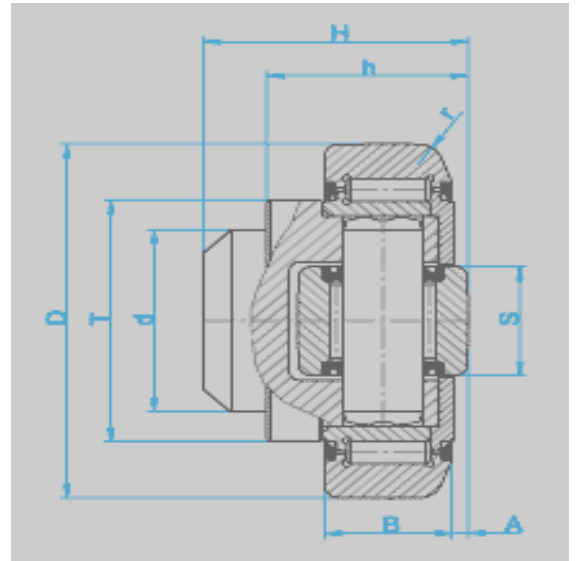


# STANDARD COMBINATION BEARING CF Series



Part Number	d mm	T mm	D mm	H mm	h mm	B mm	A mm	S mm	r mm	C KN	Co KN	Ca KN	Coa KN	Weight kgs	Profile Type
CF4.053*	30	40	52.5	33	27	17	5	15	2	24	33	10	14	0.46	53U
CF4.054-62*	30	42	62	37.5	30.5	20	2.5	20	3	0.31	35.5	11.1	11.5	0.53	2890
CF4.055-70	35	48	70.1	44	36	23	2.5	22	4	45.5	51	14	13	0.80	2867
CF4.056-78	40	54	77.7	48	36.5	23	3	26	4	48	56.8	18	18	1.00	2810
CF4.058-88	45	59	88.4	57	44	30	3.5	26	3	68	72	23	23	1.62	2811
CF4.061-108	60	71	107.7	69	55	31	4	34	5	81	95	31	36	2.82	2862
CF4.062-123	60	80	123	72.3	56	37	5	40	5	110	132	43	50	3.89	2891
CF4.063-149	60	108	149	78.5	58.8	45	5.5	50	3	151	192	68	71	6.52	2757
CF4.011-149	60	108	149	86	67	45	5.5	50	3	151	192	68	71	6.55	2757

\*without lubrication

Other sizes available upon request.

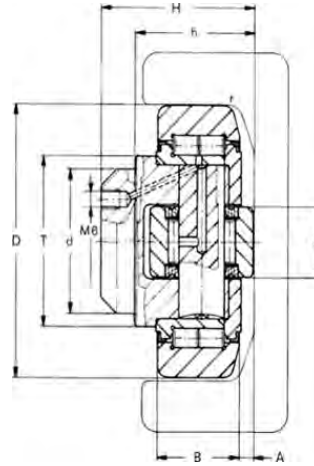
C	Dynamic Load
Co	Static Load
Ca	Axial Dynamic Load
Coa	Axial Static Load
Dr	O.D. on enquiry

NOTE:	Custom, close tolerance outside dimensions are available upon request.
-------	--

# WINKEL Combined Bearings



## Fixed Axial Bearing



High Temp Units Available on Request

## Standard Fixed Axial Bearing

Relubrication for sizes 4.055 thru 4.063

Bearing only Part No.	Bearing with Rectangular Flange Plate Part No.	Bearing with Square Flange Plate Part No.	Dimensions										Brg Wt. kg	Profile Part No.
			A mm	B mm	d (-0.05mm)	D* mm	h mm	H mm	r mm	S mm	T mm	RPM max		
W-4.053	W-4.053/APS	W-4.053/APS-Q	5	17	30	52.5	27	33	2	15	40	800	0.46	W-S
W-4.054	W-4.054/AP0	W-4.054/AP0-Q	2.5	20	30	62.5	30.5	37.5	3	20	42	900	0.53	W-0 Nb
W-4.055	W-4.055/AP1	W-4.055/AP1-Q	2.5	23	35	70.1	36	44	4	22	48	900	0.80	W-1 Nb W-3018
W-4.056	W-4.056/AP2	W-4.056/AP2-Q	3	23	40	77.7	36.5	48	4	26	54	800	1.00	W-2 Nb
W-4.057	**	**	3	23	40	77.7	29	40	4	26	53	800	0.87	W-3019
W-4.058	W-4.058/AP3.1	W-4.058/AP3-Q	3.5	30	45	88.4	44	57	3	26	59	750	1.62	W-3 Nb W-3020
W-4.059	**	**	3	28	50	101.2	33	46	3	30	67	700	1.74	W-2912
W-4.060	**	**	3	31	55	107.7	39	53	5	34	71	650	2.27	W-3100
W-4.061	W-4.061/AP4	W-4.061/AP4-Q	4	31	60	107.7	55	69	5	34	71	650	2.82	W-4 Nb
W-4.062	W-4.062/AP4	W-4.062/AP4-Q	5	37	60	123	56	72.3	5	40	80	550	3.89	W-5 Nb W-3353
W-4.063	W-4.063/AP6	W-4.063/AP6-Q	5.5	43	60	149	58.5	78.5	3	50	103	450	6.52	W-6 Nb

## Profile & Bearing Load Ratings

CAD Drawing Download: [www.winkel.de](http://www.winkel.de)

Bearing only Part No.	Profile		Max Static Radial Load on Profile F <sub>R</sub> kN		Max Static Axial Load on Profile F <sub>A</sub> kN		Dynamic Load Capacity of Radial Brg C kN	Static Load Capacity of Radial Brg C <sub>0</sub> kN	Dynamic Load Capacity of Axial Brg C <sub>A</sub> kN	Static Load Capacity of Axial Brg C <sub>0A</sub> kN
	C-Profile	I-Profile	C-Profile	I-Profile	C-Profile	I-Profile				
W-4.053	S	—	5.23	—	1.68	—	24.0	32.0	7	7
W-4.054	0 Nb	—	9.40	—	3.10	—	31.0	35.5	11	11
W-4.055	1 Nb	3018	11.30	11.30	3.73	3.73	45.5	51.0	13	14
W-4.056	2 Nb	—	11.72	—	3.87	—	48.0	56.8	18	18
W-4.057	—	3019	—	11.72	—	3.87	48.0	56.8	18	18
W-4.058	3 Nb	3020	20.47	20.47	6.76	6.76	68.0	72.0	23	23
W-4.059	—	2912	—	20.11	—	6.70	73.0	82.0	25	27
W-4.060	—	3100	—	21.68	—	7.16	81.0	95.0	31	36
W-4.061	4 Nb	—	21.68	—	7.16	—	81.0	95.0	31	36
W-4.062	5 Nb	3353	30.92	24.70	10.20	10.20	110.0	132.0	43	50
W-4.063	6 Nb	—	54.02	—	17.80	—	151.0	192.0	68	71

Note: \* OD has a slight crown to accommodate misalignments. \*\* Flange Plates available on request. Bearings with 2RS Seals.

■ These sizes available in stainless (INOX), ratings will be lower.