



- A PART OF ADDTECH GROUP

## DATA SHEET

Customer:	
Ref.:	
Order:	
Motor:	
Serial nr:	
Date:	31-08-2017

### ASYNCHRONOUS MOTOR

**4A2 100L1-4**

#### Nameplate data:

Code: 115979

Type:	4A2 100L1-4			IP55	F/B	Amb. temp.: Max. 40°		
kW	Hz	V	A	Rpm	Cos	Eff. 100%	Duty	IE.class
2,20	50	230D	8,09	1450	0,81	84,3%	S1	IE2
2,20	50	400 Y	4,65	1450	0,81	84,3%		
2,64	60	460 Y	4,85	1740	0,81	84,3%		

#### Description:

Mounting form:	B14
Bearing DE:	6206-2Z/C3
Bearing NDE:	6206-2Z/C3
Weight - Kg.:	24
Heater:	No Heater
PTC:	No PTC
Kgm <sup>2</sup> :	0,0054
Sound press.-db(A):	53,0

#### Other:


#### Test data S1-duty, Amb.temp 40°C:

Voltage - V:	400
Frequency - Hz:	50
Power - kW:	2,20
Full load speed - Rpm:	1450
Full load current - A:	4,65
Full load power factor - Cos:	0,81
Locked rotor current - A:	34,4
Locked rotor factor - A <sub>st</sub> /A <sub>n</sub> :	7,4

Efficiency 100% load - %:	84,3%
Efficiency 75% load - %:	85,3%
Efficiency 50% load - %:	84,0%
Full load torque - Nm:	14,5
Locked rotor torque - Nm:	33,3
Locked rotor torque - Nm <sub>st</sub> /Nm <sub>n</sub> :	2,3
Max. Pull out torque - Nm:	33,3
Max. Pull out torque. - Nm <sub>st</sub> /Nm <sub>n</sub> :	2,3

Over load/speed test	kW	Hz	V	A	Rpm
Over load 160% - 15sec.	3,52	50	400	7,44	1450
Over speed 125% - 2 min.	2,2	63	400	4,65	1813
H-Pot test voltage: 1800V			Temp. rise in stator:		

The motor is produced in accordance with following harmonized standards:

IEC60034-1, IEC60034-2, IEC60034-5, IEC60034-6, IEC60034-7, IEC60034-8, IEC60034-9  
IEC60034-12, IEC60034-14, IEC60034-30, IEC60072.

Additional specifications in accordance with:

RINA - GL - LRS - BV - DNV - ABS - KR - RR - CCS - CCC - RMRS.

#### Bevi Group:

BEVI AB, Sweden	www.bevi.se	sales@bevi.se	+46 499 271 00
BEVI Nord AB, Sweden	www.bevi.se	bevinord@bevi.se	+46 90 70 44 30
BEVI A/S, Denmark	www.bevi.dk	bevi@bevi.dk	+45 39 67 36 05
BEVI Norge A/S, Norway	www.bevi.no	info@bevi.no	+47 22 07 66 50
BEVI Finland OY AB, Finland	www.bevi.fi	info@bevi.fi	+358 9 2709 1210
BEVI Est Oü, Estonia	www.bevi.ee	bevi@bevi.ee	+372 6828 755
BEVI UAB, Lithuania	www.bevi.lt	info@bevi.lt	+370 5 2611 112
BEVI CHINA, China	www.bevi.cn	sales@bevi.cn	+86 21 5032 5200

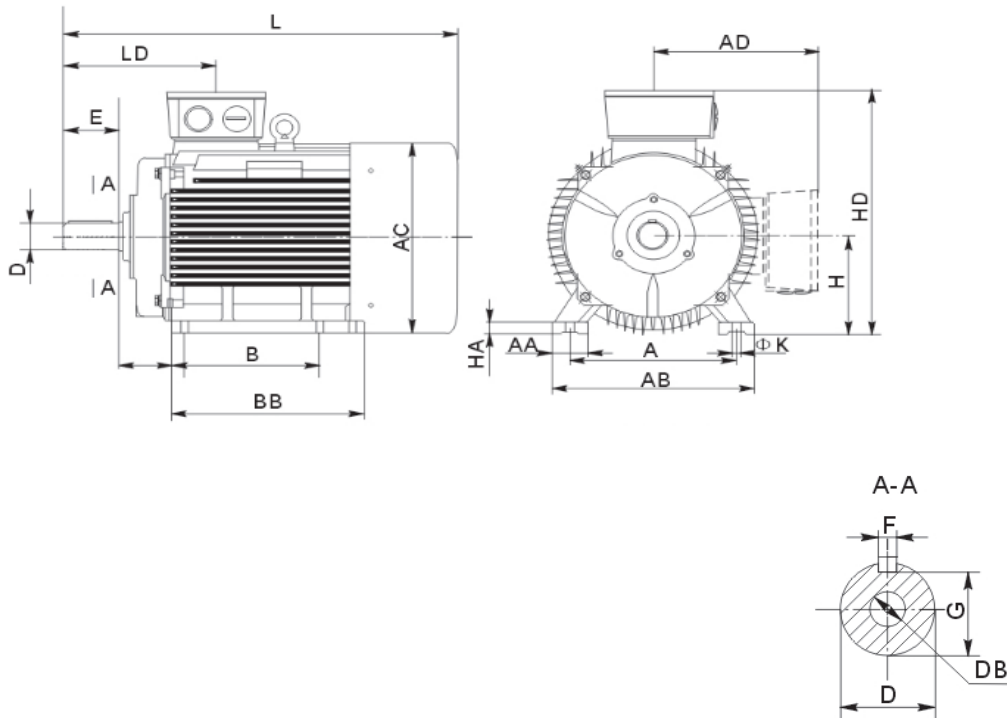


- A PART OF ADDTECH GROUP

## DATA SHEET

Customer:	
Ref.:	
Order:	
Motor:	
Serial nr:	
Date:	31-08-2017

### Foot mounted motor 4A2 100L1-4 B3



A: 160	HD: 266	E: 60
B: 140	C: 63	D: 28
AB: 196	H: 100	G: 24
AC: 205	K: 12	DB: M10
AD: 168	L: 403	F: 8
	L (V1): 453	

#### Bevi Group:

BEVI AB, Sweden  
 BEVI Nord AB, Sweden  
 BEVI A/S, Denmark  
 BEVI Norge A/S, Norway  
 BEVI Finland OY AB, Finland  
 BEVI Est Oü, Estonia  
 BEVI UAB, Lithuania  
 BEVI CHINA, China

[www.bevi.se](http://www.bevi.se)  
[www.bevi.se](http://www.bevi.se)  
[www.bevi.dk](http://www.bevi.dk)  
[www.bevi.no](http://www.bevi.no)  
[www.bevi.fi](http://www.bevi.fi)  
[www.bevi.ee](http://www.bevi.ee)  
[www.bevi.lt](http://www.bevi.lt)  
[www.bevi.cn](http://www.bevi.cn)

[sales@bevi.se](mailto:sales@bevi.se)  
[bevinord@bevi.se](mailto:bevinord@bevi.se)  
[bevi@bevi.dk](mailto:bevi@bevi.dk)  
[info@bevi.no](mailto:info@bevi.no)  
[info@bevi.fi](mailto:info@bevi.fi)  
[bevi@bevi.ee](mailto:bevi@bevi.ee)  
[info@bevi.lt](mailto:info@bevi.lt)  
[sales@bevi.cn](mailto:sales@bevi.cn)

+46 499 271 00  
 +46 90 70 44 30  
 +45 39 67 36 05  
 +47 22 07 66 50  
 +358 9 2709 1210  
 +372 6828 755  
 +370 5 2611 112  
 +86 21 5032 5200

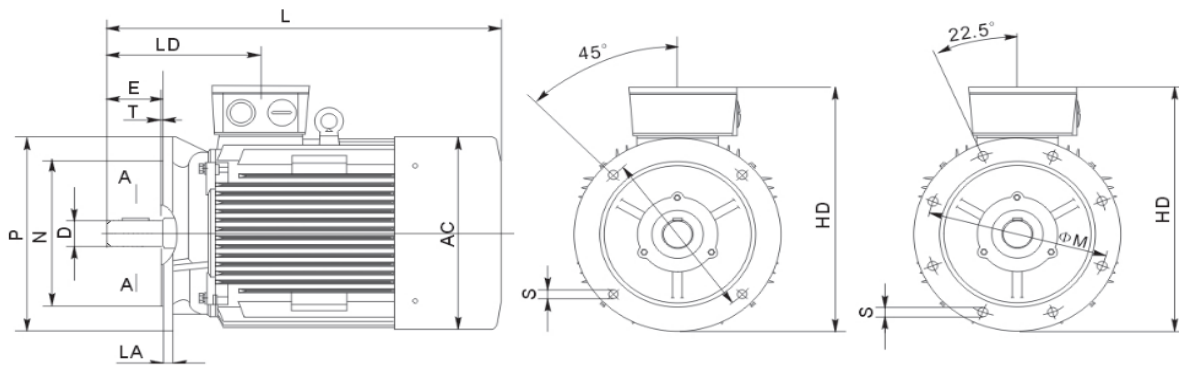


- A PART OF ADDTECH GROUP

## DATA SHEET

Customer:	
Ref.:	
Order:	
Motor:	
Serial nr:	
Date:	31-08-2017

### Flange mounted motor 4A2 100L1-4 B5 (V1)



M: 215	HD: 266	E: 60
N: 180	L: 403	D: 28
P: 250	L (V1): 453	G: 24
S: 15		DB: M10
		F: 8

#### Bevi Group:

BEVI AB, Sweden  
 BEVI Nord AB, Sweden  
 BEVI A/S, Denmark  
 BEVI Norge A/S, Norway  
 BEVI Finland OY AB, Finland  
 BEVI Est Oü, Estonia  
 BEVI UAB, Lithuania  
 BEVI CHINA, China

www.bevi.se  
 www.bevi.se  
 www.bevi.dk  
 www.bevi.no  
 www.bevi.fi  
 www.bevi.ee  
 www.bevi.lt  
 www.bevi.cn

sales@bevi.se  
 bevinord@bevi.se  
 bevi@bevi.dk  
 info@bevi.no  
 info@bevi.fi  
 bevi@bevi.ee  
 info@bevi.lt  
 sales@bevi.cn

+46 499 271 00  
 +46 90 70 44 30  
 +45 39 67 36 05  
 +47 22 07 66 50  
 +358 9 2709 1210  
 +372 6828 755  
 +370 5 2611 112  
 +86 21 5032 5200

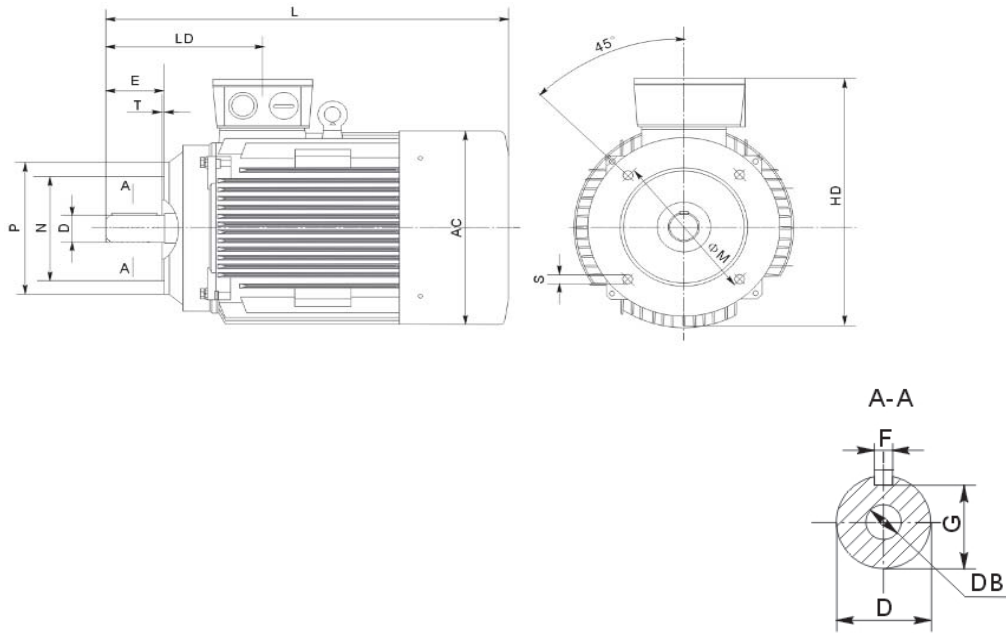


- A PART OF ADDTECH GROUP

## DATA SHEET

Customer:	
Ref.:	
Order:	
Motor:	
Serial nr:	
Date:	31-08-2017

### Flange mounted motor B14A & B14B



#### Flange type: B14A

M: 130  
N: 110  
P: 160  
S: M8

#### B14B

165  
130  
200  
M10

HD: 266  
L: 403  
L (V1): 453

E: 60  
D: 28  
G: 24  
DB: M10  
F: 8

#### Bevi Group:

BEVI AB, Sweden  
BEVI Nord AB, Sweden  
BEVI A/S, Denmark  
BEVI Norge A/S, Norway  
BEVI Finland OY AB, Finland  
BEVI Est Oü, Estonia  
BEVI UAB, Lithuania  
BEVI CHINA, China

www.bevi.se  
www.bevi.se  
www.bevi.dk  
www.bevi.no  
www.bevi.fi  
www.bevi.ee  
www.bevi.lt  
www.bevi.cn

sales@bevi.se  
bevinord@bevi.se  
bevi@bevi.dk  
info@bevi.no  
info@bevi.fi  
bevi@bevi.ee  
info@bevi.lt  
sales@bevi.cn

+46 499 271 00  
+46 90 70 44 30  
+45 39 67 36 05  
+47 22 07 66 50  
+358 9 2709 1210  
+372 6828 755  
+370 5 2611 112  
+86 21 5032 5200

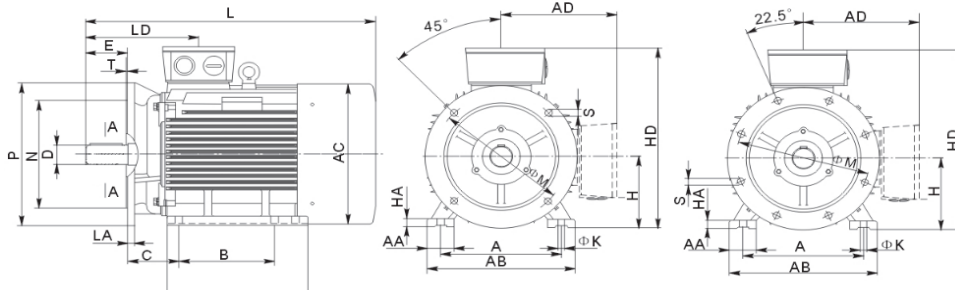


- A PART OF ADDTECH GROUP

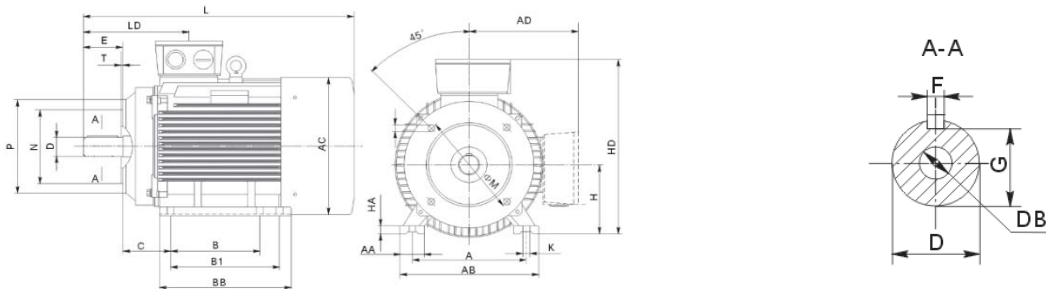
## DATA SHEET

Customer:	
Ref.:	
Order:	
Motor:	
Serial nr:	
Date:	31-08-2017

### Foot & flange mounted motor B3/B5



### B3/B14A & B3/B14B



#### Flange type: B5

M: 215  
N: 180  
P: 250  
S: 15

A: 160  
B: 140  
AB: 196  
AC: 205  
AD: 168

#### B14A

M: 130  
N: 110  
P: 160  
S: M8

HD: 266  
C: 63  
H: 100  
K: 12  
L: 403

#### B14B

M: 165  
N: 130  
P: 200  
S: M10

E: 60  
D: 28  
G: 24  
DB: M10  
F: 8

L (V1): 453

#### Bevi Group:

BEVI AB, Sweden  
BEVI Nord AB, Sweden  
BEVI A/S, Denmark  
BEVI Norge A/S, Norway  
BEVI Finland OY AB, Finland  
BEVI Est Oü, Estonia  
BEVI UAB, Lithuania  
BEVI CHINA, China

www.bevi.se  
www.bevi.se  
www.bevi.dk  
www.bevi.no  
www.bevi.fi  
www.bevi.ee  
www.bevi.lt  
www.bevi.cn

sales@bevi.se  
bevinord@bevi.se  
bevi@bevi.dk  
info@bevi.no  
info@bevi.fi  
bevi@bevi.ee  
info@bevi.lt  
sales@bevi.cn

+46 499 271 00  
+46 90 70 44 30  
+45 39 67 36 05  
+47 22 07 66 50  
+358 9 2709 1210  
+372 6828 755  
+370 5 2611 112  
+86 21 5032 5200