

# Ports Modbus Multiplexer and Converter

## SGW1-IA3-MMP



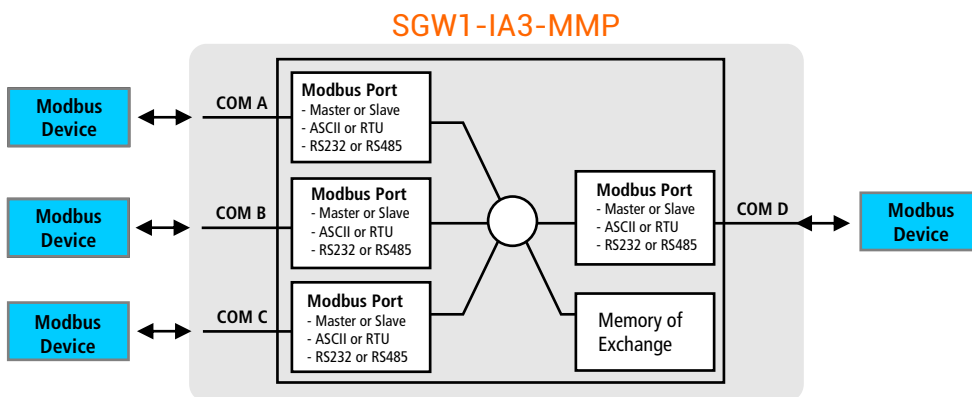
The SGW1-IA3-MMP, is a multifunction device that allows to perform the following functions:

- 1) Modbus Port Multiplexing (Masters and Slaves)
- 2) Conversion of Modbus ASCII data to Modbus RTU, with different Baud Rates and with RS232 or RS485 ports
- 3) Exchange of Registers between Modbus Masters, by means of an exchange memory

### ★ FEATURES

- Up to 3 ports to connect Masters.
- Up to 3 ports to connect Slaves.
- No need of registers tables.
- DIN Rail mounting.
- Wide range power supply, 10 to 30 Vdc.
- Easy configuration.
- Industrial pluggable terminal blocks.
- USB Configuration

### ⚙️ INTERNAL SCHEME



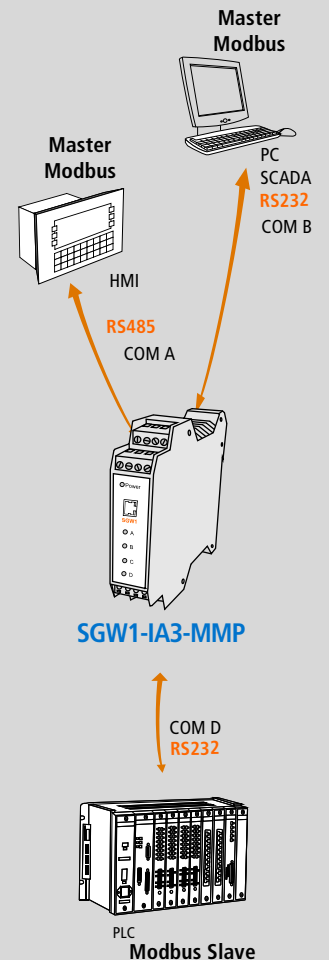
### ✓ 3 FUNCTIONALITIES ON 1 SINGLE EQUIPMENT

- Ports Modbus Multiplexer
- Converter Modbus ASCII to Modbus RTU (RS232 or RS485)



The SGW1-IA3-MMP is a multifunction device, which allows Multiplexing, Conversion and Data Exchange between Modbus Serial devices.

### Example 2 Masters interrogate To the same Slave Modbus



## TECHNICAL FEATURES

- **Network Protocols:** Modbus RTU, Modbus ASCII

---

- **Network Port:** 4 RS232/RS485 In plug-in terminals + 1 USB kind B.

---

- **Configuration:** USB console

---

- **Firmware upgrade:** Upgradable by console RS232

---

- **LED´s Indicators:** Powe supply , Modbus data

---

- **Dimmensions:** 100 mm x 22,5 mm x 112 mm (H x W x D).

---

- **Power Supply:** 10 a 30 [Vdc].

---

- **Current used:** 12 Vdc 70 [mA] / 24 Vdc 40 [mA].

---

- **Temperature:** Operation temperature: -15 a 65 °C.  
Storage temperature: -40 a 75 °C.

---

- **Support:** 1-year guarantee. Technical Support included

---

## ORDERING INFORMATION

PART NUMBER	DETAILS
SGW1-4B0-00-IA3-MMP	4 RS232/RS485 ports configurables
SGW1-13B0-00-IA3-MMP-CF	1 configurable RS232 with RTS for radio control + 3 RS232/RS485 ports configurables

