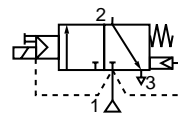


# MINI SPOOL VALVES

solenoid air operated  
plastic body  
individual mounting or joinable subbase  
G1/8 tapped body or 6 mm O.D instant fittings



## GENERAL

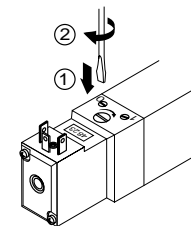
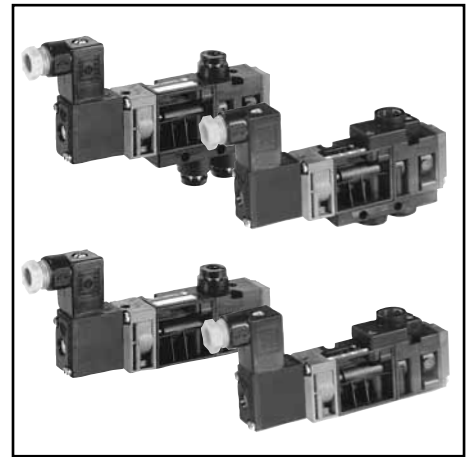
<b>Fluid</b>	Air or neutral gaz, filtered, lubricated or not
<b>Operating pressure</b>	1,5 to 8 bar
<b>Ambient temperature</b>	+5°C to +50°C
<b>Flow (Qv at 6 bar)</b>	400 l/min (ANR) - Kv : 5,7
<b>Response time</b>	energized 15 ms de-energized 45 ms
<b>Connection</b>	Instant fittings Ø 6 O.D. or G 1/4 subbases
<b>Mounting</b>	individual or joinable subbases

## CONSTRUCTION

<b>SPOOL VALVES</b>	
<b>Body</b>	POM (polyacetal)
<b>Cover</b>	POM (polyacetal)
<b>Internal parts</b>	POM (polyacetal) and brass
<b>Seals</b>	NBR (nitrile)
<b>Manual operator</b>	Maintained, impulse Latchable in hold position (push-turn)

## PILOT

<b>Seals</b>	NBR (nitrile)
<b>Electrical equipment</b>	Conforming to NF C79300 standard
<b>Coil and iron circuit</b>	Encapsulated



## ELECTRICAL CHARACTERISTICS

voltages		consumption	insulation class	protection degree	electrical connection
~	24V, 115V, 230V - 50/60Hz	2 VA (1,5 W)	F	IP 65	spade plug size 15 connector, DIN 43650, 9,4 mm, industry standard B, rotatable by 90°
=	24V	1,6 W			

## SPECIFICATIONS

function symbol	operators solenoid air operated pilot (14) return (12)	connection		catalogue number			
		port 2	ports 1-3	24V ~	115V ~	230V ~	24V =
	differential return	instant fitting 6 mm O.D.	inst. fitting 6mm O.D.	<b>52000214</b>	<b>52000215</b>	<b>52000216</b>	<b>52000213</b>
			subbase mounted	<b>52000210</b>	<b>52000211</b>	<b>52000212</b>	<b>52000209</b>
		tapped G 1/8	tapped G 1/8	<b>52000194</b>	<b>52000195</b>	<b>52000196</b>	<b>52000193</b>
			subbase mounted	<b>52000190</b>	<b>52000191</b>	<b>52000192</b>	<b>52000189</b>


3/2 NO version (operating pressure 2,5 to 8 bar) : on request

## ACCESSORIES

visual indicator (LED) and electrical protection (see section "Coils and Accessories")	24V =/~	<b>88130401</b>
	115V ~	<b>88130402</b>
	230V ~	<b>88130403</b>
connector size 15 with cable, 2 m long		<b>88143567</b>
connector size 15 with built-in visual indication and protection, with cable outlet, 2 m long (see section "Coils and Accessories")	24V =/~	<b>88143580</b>

## SUBBASES

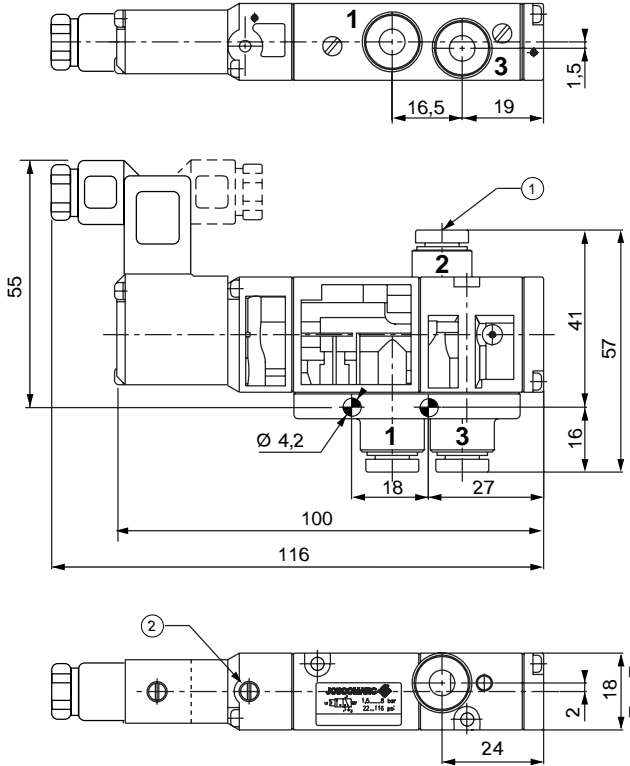
possible mounting on joinable subbases (see page 6). Fixing screws and seals are supplied with subbases

**DIMENSIONS (mm), WEIGHT (kg)** 

**Individual mounting version**

Connection with instant fitting

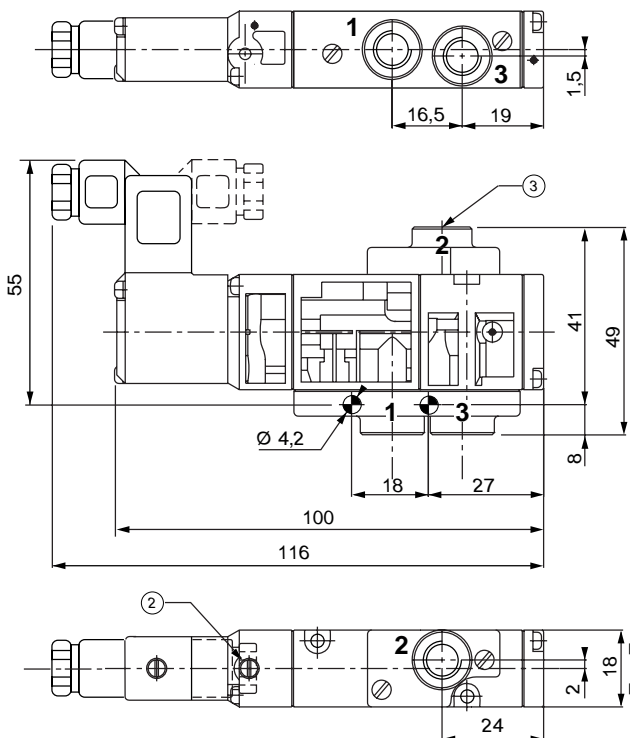
Weight : 0,102



- ① 3 instant fittings Ø6 mm O. D. tube
- ② Manual operator

Tapped G 1/8 connection

Weight : 0,094

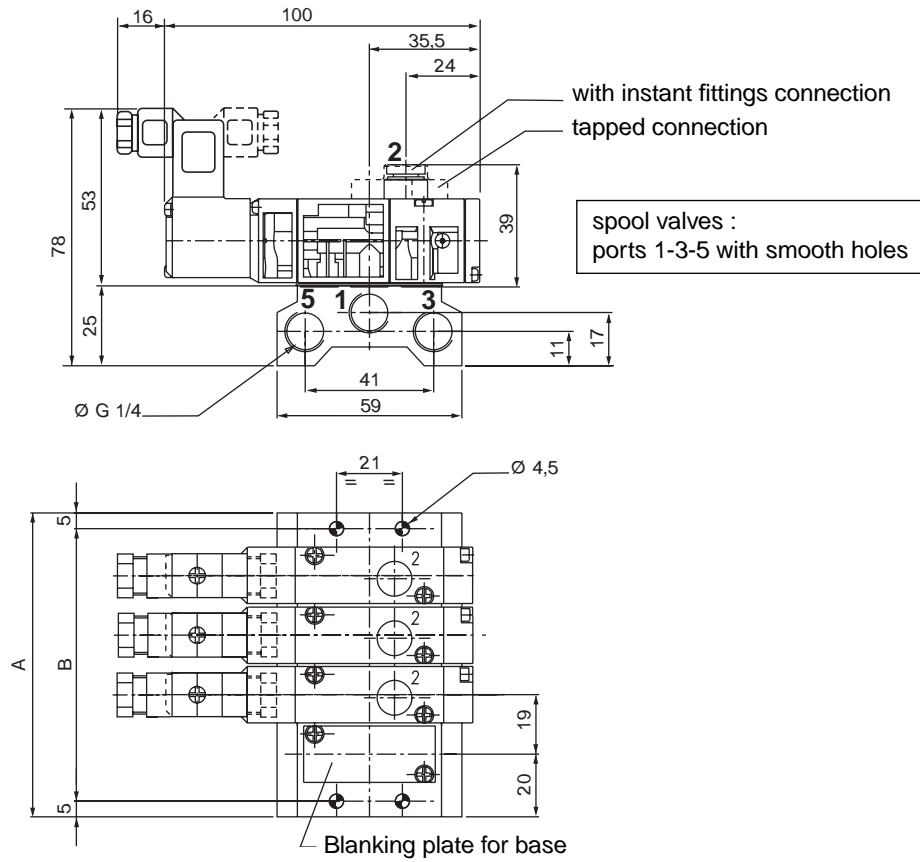


- ② Manual operator
- ③ 3 x ports tapped G 1/8

**DIMENSIONS (mm), WEIGHT (kg)**

**Subbase mounted version**

Weight, valve only : 0,086



number of spool valves	A	B	weight*
2	59	49	0,145
3	78	68	0,195
4	97	87	0,240
5	116	106	0,290
6	135	125	0,340
7	154	144	0,385
8	173	163	0,435
9	192	182	0,485
10	211	201	0,530

\* subbases only



00438GB-2006/R01 ASCO/JOUCOMATIC reserves the right to alter the availability, design and specifications without notice.