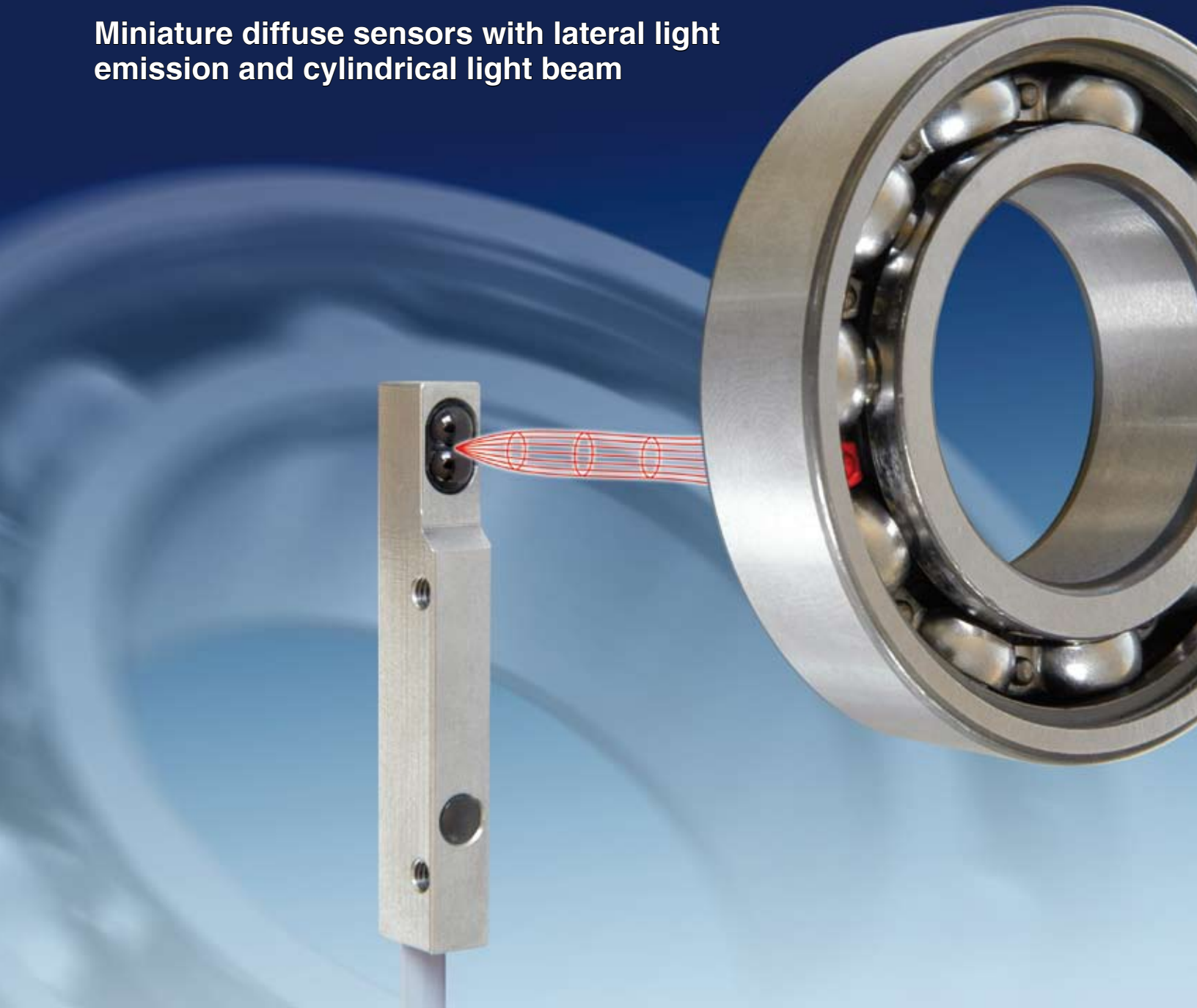


Miniature diffuse sensors with lateral light emission and cylindrical light beam



Features

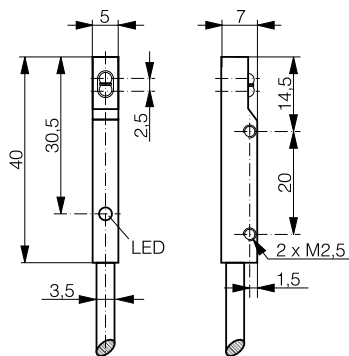
- Extremely small size: 5 x 7 mm, length 40 mm
- Cylindrical light beam: $\text{Ø} < 4$ mm
- Version with calibrated operating distance between 20 and 25 mm
- Version with long operating distance of 50 mm
- Stainless-steel housing AISI 303
- Supply voltage 10 ... 30 VDC, output current 100 mA, short-circuit proof
- Fully vacuum potted, degree of protection IP 67

Benefits

- Recessed mounting possible
- Sapphire optical parts, scratch resistant and easy to clean
- Fully self-contained, all functions built in, no amplifier necessary
- Lower cost and easier installation than fiber-optic solutions

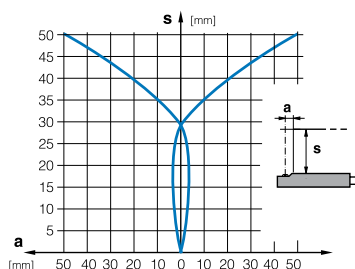
CONTRINEX

Dimensions:

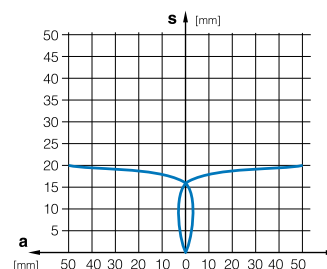


LTK-0507-30# / LTK-0507-30#-501

Response diagrams (typical values):



LTK-0507-30#



LTK-0507-30#-501

Technical data:

(acc. to IEC 60947-5-2 / DIN 44030)

Rated operating distance s_n	50 mm / 20 mm (-501)
Hysteresis	$\leq 10\% s_n$
Standard target	100 x 100 mm white
Emitter	LED 880 nm (IR)
Modulation frequency	1 kHz
Supply voltage range U_B	10 ... 30 VDC
Max. ripple content	$\leq 20\%$
Output current	≤ 100 mA
Output voltage drop	≤ 2.0 V at 100 mA
No-load supply current	≤ 15 mA
Leakage current	≤ 0.1 mA
Switching frequency	≤ 250 Hz
Switching time	2.5 msec
Time delay before availability	20 msec
Ambient temperature range	0 ... +55 °C (+32 ... +131 °F)
Temperature drift of s_n	0.3 % / °C
Short-circuit protection	Built-in
Voltage-reversal protection	Built-in
Induction protection	Built-in
Shock and vibration	IEC 60947-5-2 / 7.4
Cable length	100 m max.
Weight	40 g
Degree of protection	IP 67
Housing material	Stainless steel AISI 303
Lens material	Sapphire
Connection cable	PVC 3x0.14 mm ² / 18 x 0.1 mm Ø; 2 m

Available types:

Part number	Part reference	Polarity	Output	Connection
620 200 101	LTK-0507-301	NPN	light-ON	cable
620 200 103	LTK-0507-303	PNP	light-ON	cable
620 200 102	LTK-0507-302	NPN	dark-ON	cable
620 200 104	LTK-0507-304	PNP	dark-ON	cable
620 200 741	LTK-0507-301-501	NPN	light-ON	cable
620 200 743	LTK-0507-303-501	PNP	light-ON	cable
620 200 742	LTK-0507-302-501	NPN	dark-ON	cable
620 200 744	LTK-0507-304-501	PNP	dark-ON	cable

These devices **must not be used** in applications where the **safety of people** is dependent on their functioning. Terms of delivery and rights to change design reserved.

Your sales agent:



Contrinex Inc.