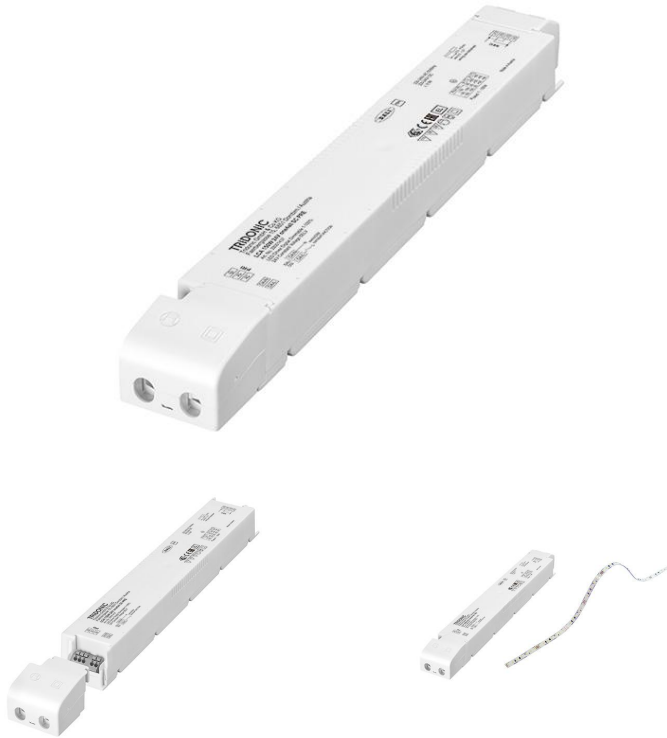


Driver LCA 150W 24V one4all SC PRE

PREMIUM series



System solution

Product description

- _ Dimmable 24 V constant voltage LED Driver for flexible constant voltage strips
- _ One4all interface and ready2mains enable different dimming options
- _ Dimming range 1 to 100 %
- _ No additional external dimmer is needed
- _ Suitable for emergency escape lighting systems acc. to EN 50172
- _ Nominal life-time up to 50,000 h
- _ 5-year guarantee

Typical applications

- _ Cove lighting, facade accent lighting, ceiling integration

Technical details

- _ 24 V, 150 W
- _ Small design (325 x 43 x 30 mm) with stretched-compact strain relief
- _ Small cross section
- _ Push terminals for simple wiring
- _ 2 output channels (+/-) for more flexibility in the application

Interfaces

- _ one4all (DALI DT 6, DSI, switchDIM, corridorFUNCTION)
- _ ready2mains (configuration and dimming via mains)
- _ Terminal blocks: 45° push terminals

System solution

- _ Tridonic LLE-FLEX ADV 600, 1,200, 1,800 lm/m
- _ Tridonic LLE-FLEX EXC 600, 1,200, 1,800, 2,500 lm/m
- _ In connection with Flex accessories wire to PCB plug
- _ The functioning of third party light sources at a low dim level cannot be guaranteed and is not recommended

Website

<http://www.tridonic.com/28001437>



Spotlights



Downlights



Linear



Area



Floor | Wall



Free-standing



Street



Decorative

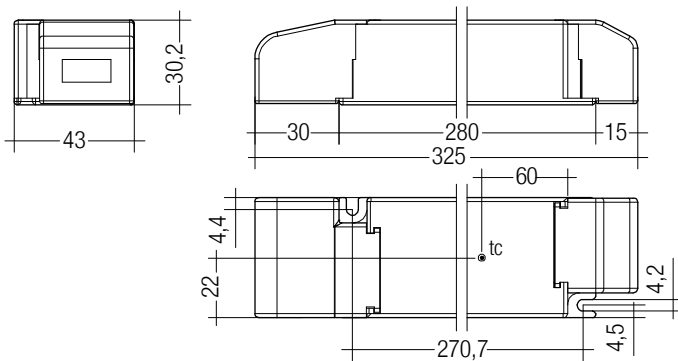


High bay

Driver LCA 150W 24V one4all SC PRE

PREMIUM series

The complete data sheet for this product is available in the Downloads section.



Ordering data

Type	Article number	Packaging, carton [®]	Packaging, pallet	Weight per pc.
Multi packaging				
LCA 150W 24V one4all SC PRE	28001437	10 pc(s).	390 pc(s).	0.298 kg

Technical data

Rated supply voltage	220 – 240 V
AC voltage range	198 – 264 V
DC voltage range	176 – 280 V
Mains frequency	0 / 50 / 60 Hz
Typ. rated current (at 230 V, 50 Hz, full load) ^①	710 mA
Typ. current (220 V, 0 Hz, full load, 15 % dimming level)	129 mA
Leakage current (at 230 V, 50 Hz, full load) ^①	< 320 A
Max. input power	160 W
Typ. efficiency (at 230 V, 50 Hz, full load)	94 %
λ (at 230 V, 50 Hz, full load) ^①	0.99
Typ. power input on stand-by ^②	< 0.44 W
Typ. input current in no-load operation	66.4 mA
Typ. input power in no-load operation ^②	2.5 W
In-rush current (peak / duration)	60.2 A / 195 s
THD (at 230 V, 50 Hz, full load) ^①	< 4.3 %
Time to light (at 230 V, 50 Hz, full load) ^①	< 0.63 s
Time to light (DC mode)	< 0.32 s
Switchover time (AC/DC)	< 0.32 s
Turn off time (at 230 V, 50 Hz, full load)	< 8 ms
Output voltage tolerance	± 1 V
Output LF voltage ripple (< 120 Hz)	± 5 %
Max. output voltage (no-load voltage)	60 V
PWM frequency	≥ 1 kHz
Dimming range	1 – 100 %
Mains surge capability (between L - N)	1 kV
Mains surge capability (between L/N - PE)	2 kV
Dimensions L x W x H	325 x 43 x 29.8 mm

Approval marks



Standards

EN 55015, EN 61000-3-2, EN 61000-3-3, EN 61347-1, EN 61347-2-13, EN 62384, EN 61547, EN 62386-101, EN 62386-102, EN 62386-207, Acc. to EN 50172, Acc. to EN 60598-2-22

Specific technical data

Type	Load	Forward voltage	Output current	Max. output power (at 24 V, full load)	Typ. power consumption (at 24 V, full load)	Typ. current consumption (at 24 V, full load)	tc point max.	Ambient temperature t_a
LCA 150W 24V one4all SC PRE	10 %	24 V	0.625 A	15 W	19.1 W	122 mA	80 °C	-25 ... +60 °C
LCA 150W 24V one4all SC PRE	20 %	24 V	1.250 A	30 W	34.3 W	174 mA	80 °C	-25 ... +60 °C
LCA 150W 24V one4all SC PRE	30 %	24 V	1.875 A	45 W	49.7 W	235 mA	80 °C	-25 ... +60 °C
LCA 150W 24V one4all SC PRE	40 %	24 V	2.500 A	60 W	65.2 W	298 mA	85 °C	-25 ... +55 °C
LCA 150W 24V one4all SC PRE	50 %	24 V	3.125 A	75 W	80.7 W	364 mA	85 °C	-25 ... +55 °C
LCA 150W 24V one4all SC PRE	60 %	24 V	3.750 A	90 W	96.3 W	430 mA	85 °C	-25 ... +55 °C
LCA 150W 24V one4all SC PRE	70 %	24 V	4.375 A	105 W	112.1 W	498 mA	90 °C	-25 ... +50 °C
LCA 150W 24V one4all SC PRE	80 %	24 V	5.000 A	120 W	127.7 W	565 mA	90 °C	-25 ... +50 °C
LCA 150W 24V one4all SC PRE	90 %	24 V	5.625 A	135 W	143.3 W	633 mA	90 °C	-25 ... +50 °C
LCA 150W 24V one4all SC PRE	100 %	24 V	6.250 A	150 W	159.3 W	702 mA	90 °C	-25 ... +50 °C

① Valid at 100 % dimming level.

② Depending on the DALI traffic at the interface.

③ Each article is single packed. In the individual package is the driver and the strain relief kits.