

Description:

The F20 is an universal electropneumatic positioner, suitable for rotary actuators (single or double acting). The F20 positioner operates on the principle of analog electric comparison. An analog 4-20mA input signal is used to obtain an accurate position of the actuator. The F20 is a true 2-wire instrument, with the 4-20mA signal providing both the controlling signal and power supply for the electronics. An electronic module provides all the usual control characteristics zero, range and sensitivity are all electronically resetable using trimmers on the control card. The modular construction allows the addition of a wide range of control options. These includes micro switches, inductive switches, pressure gauges, position transmitters and volume boosters. Mounting according to industry standard VDI/VDE 3845 (NAMUR), with the drive coupling spring loaded for zero backlash.

Specification:

Hysteresis	: 0,6%	Mounting	: VDI/VDE 3845
Linearity	: 1,0%	Air entry	: G1/4"
Air flow	: 210 NI/min (at 6 bar)	Air supply	: 1,4 to 8,6 bar
Air consumption:	15 NI/min (at 6 bar)	Electrical signal:	2-wire: 4-20mA, 8V DC
Min. volume	: 0,1 L	Resistance	: 350 Ohm (on 20mA)
Temperature	: -20°C to +80°C	Electrical entry	: M20x1,5 (Optional 1/2" NPT)
Housing	: IP65		

Media:

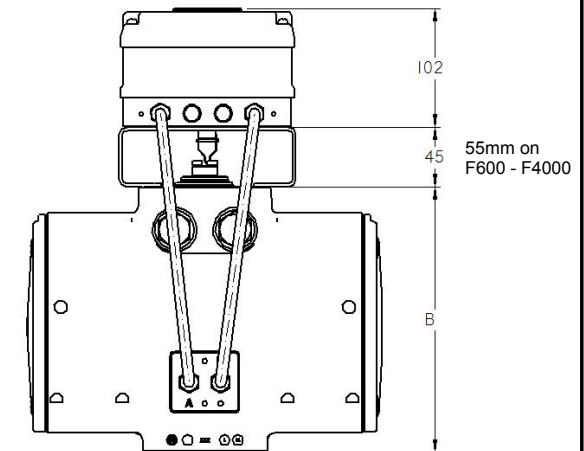
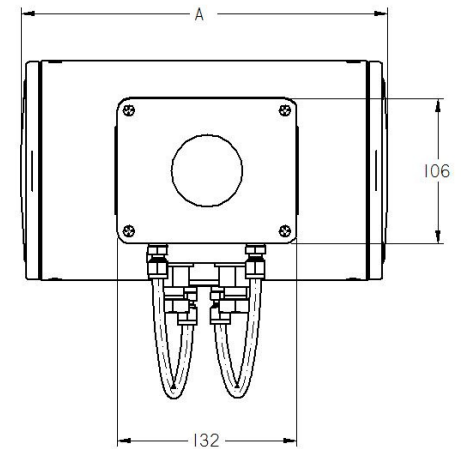
Non lubricated instrument air, filtered at 25 micron
 Dew point should be 10°C below environmental temperature
 Air quality class 3-2-3 according to ISO 8573-1

Materials:

Housing: Aluminium alloy
 Finish: Polyester powder coated

Modular control options:

G2 : Gauge block, for supply and two output pressures
 PTF20 : Position transmitter 2-wire
 S2 : Two mechanical switches
 IS2 : Two inductive switches 2-wire (intrinsically safe)
 PNP : Two inductive switches 3-wire
 POT : Potentiometer
 IS : Intrinsically safe according II 2 EEx ib IIC T6, TÜV certificate: TÜV 00 ATEX 1565
 LT : Low temperature: -54°C to +80°C



Dim. in mm.	Actuator type										
	F25	F40	F65	F100	F200	F350	F600	F950	F1600	F2500	F4000
A FD	166	192	217	247	265	284	356	400	462	550	649
A FS	166	192	217	247	362	385	476	658	732	877	959
B	91	112	124	131	163	201	248	268	302	353	389