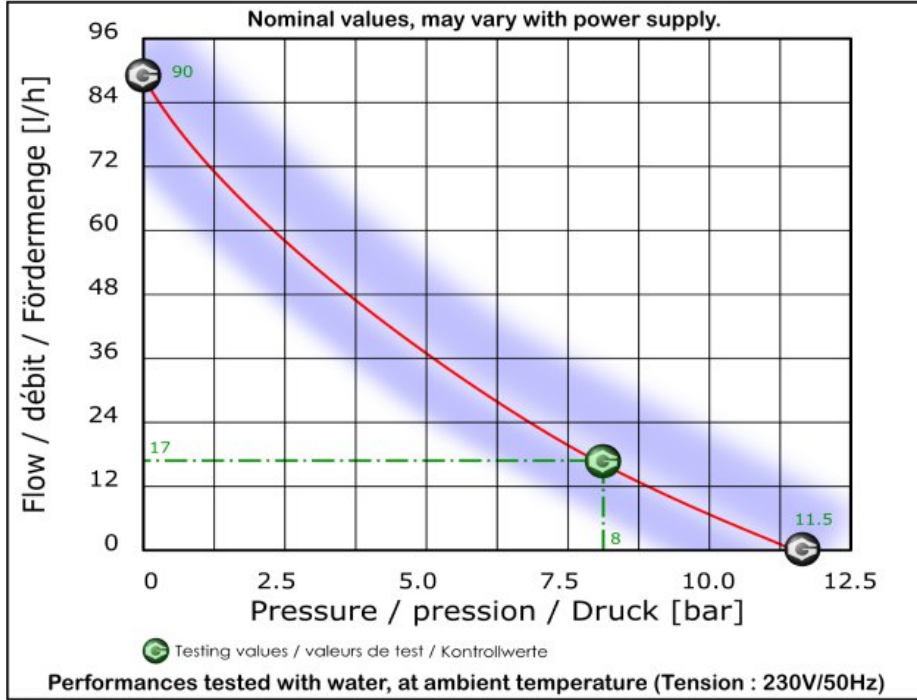
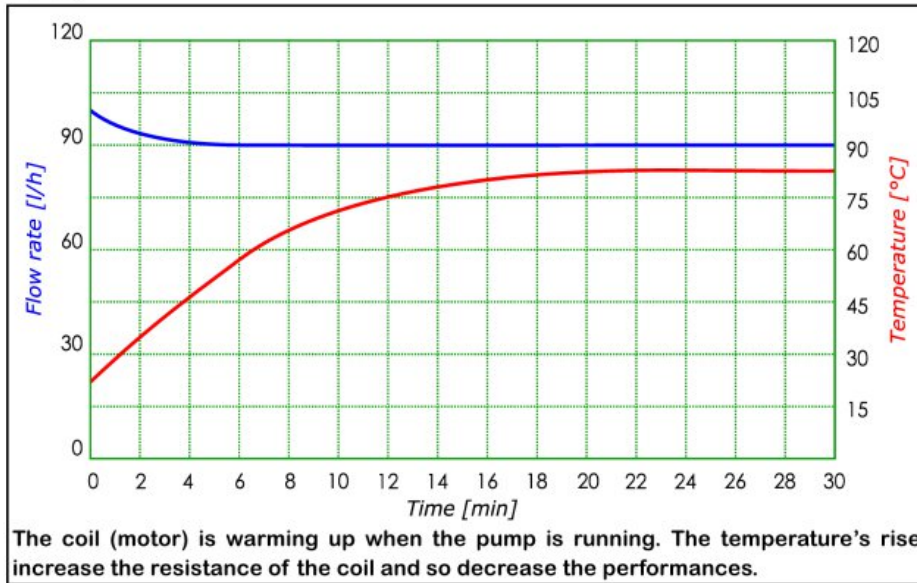


**Performances :**



**Heating & flow :**

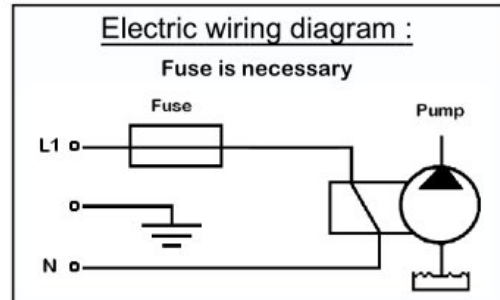


**Additional information :**

Materials in contact with the liquid :

- Connectors : 1.4305
- Piston : 1.4057 + Cr
- Springs : 1.4401
- Valves tips : HNBR
- O-ring : NBR

*Large choice of materials & options*



Note :

Please, refer to instruction manual for more installation details. For more information, visit our website

[www.gotecpumps.com](http://www.gotecpumps.com)

