

Multifunction: BCD, Counter, Tachometer, etc



**57 mm high digits.
Industrial environment
Readable from up to 30m
4 displaying sides.
360° displaying.**

Application field

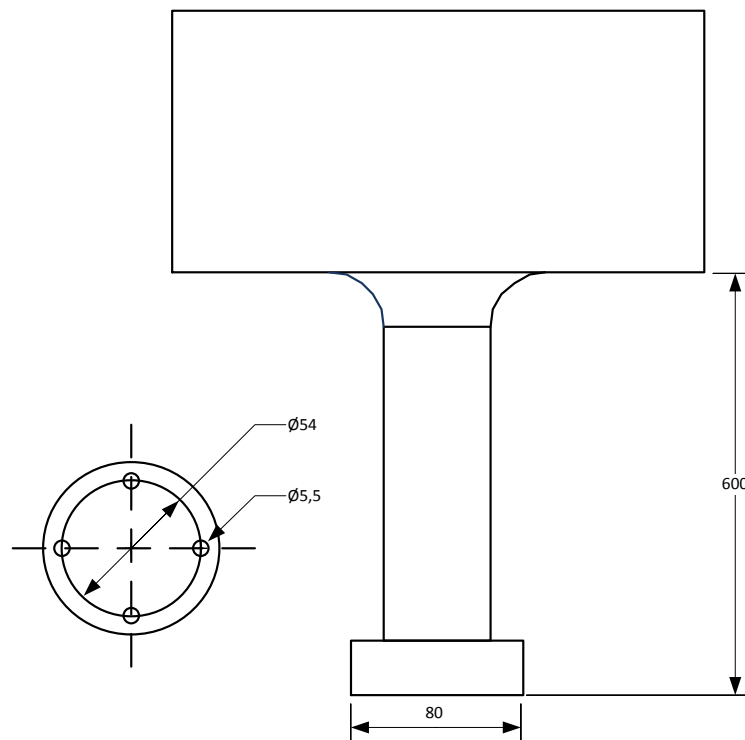
Easy to configure for wide range of applications. PNP, NPN or contact 12 a 24V DC inputs.
Digital control from PLC, counter, tachometer, chronometer, timer and binary control.

General specifications

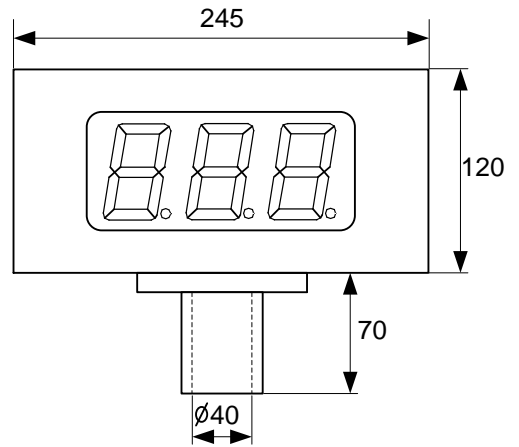
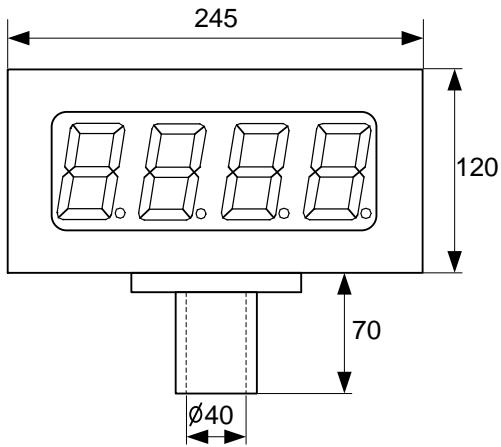
Numeric display height	57mm
Viewing	30 meters
Characters distribution	0 a 9, A,B,C,D [space]
Maximum environmental lighting	1000 lux
Power supply	88 to 264 VAC 47 to 63Hz. Option 24VCC
N° of displaying sides	Four
Box	Aluminium extruded
Assembly	Fixation on flat surface
Digital inputs	14 PNP, NPN or contact inputs from 12 to 26Vcc.
Parameter programming	By pushbuttons
Operating temperature	-20° to 60°C
Storage temperature	-30° to 70°C
Protection level	IP41

Multiplexed BCD	9 bits. 3 or 4 digits models.
Direct BCD	14 bits. Only 3 digits
Counter	Multiplier and divisor. Maximum frequency 10kHz
Tachometer	Display value adjustable. Maximum frequency 15kHz
Chronometer	Hour and minutes or Minutes and seconds
Binary	14 bits. From 0 to 9999

Fixation



Dimensions



Reference composition

