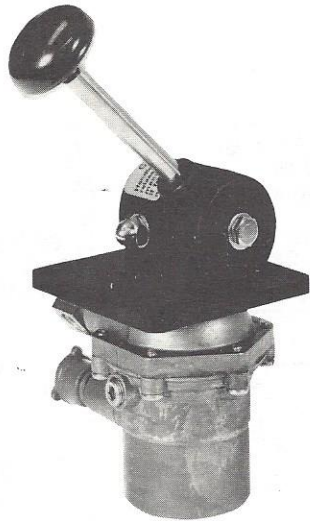


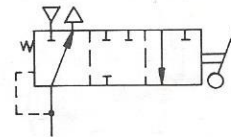
WILLIAMS®



WM786 SERIES PANEL MOUNTED REGULATING VALVE

35 SCFM @ 100 PSI

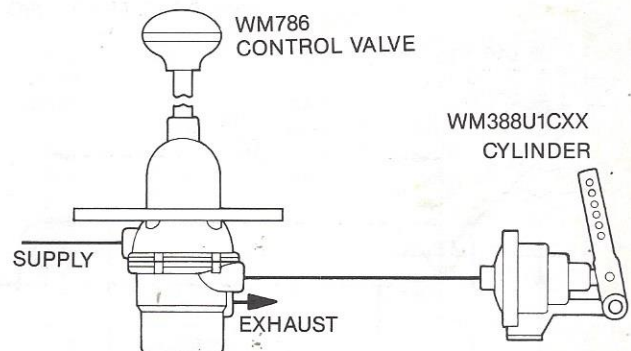
I.S.O SYMBOL



DESCRIPTION

The WM786 is a panel-mounted, three-way regulating control valve. It is actuated by a handle which is equipped with adjustable-stops so the operator can establish minimum and maximum pressure limits within a particular model's output range. When the stops are adjusted to allow maximum handle movement, the valve modulates through its entire output range and the handle has a rotation of 90°. The WM786 series also features a friction adjustment which restricts or allows free movement of the handle. **IMPORTANT: WHEN FRICTION ADJUSTMENT SCREWS ARE LOOSENED TO PROVIDE MINIMUM HANDLE FRICTION, THE OPERATOR MUST HOLD THE HANDLE IN THE APPLIED POSITION OR IT WILL AUTOMATICALLY RETURN TO NEUTRAL.**

WM786 series valves interchange in both mounting and function with WABCO's M (B models) and H (A models) series.



SPECIFICATIONS

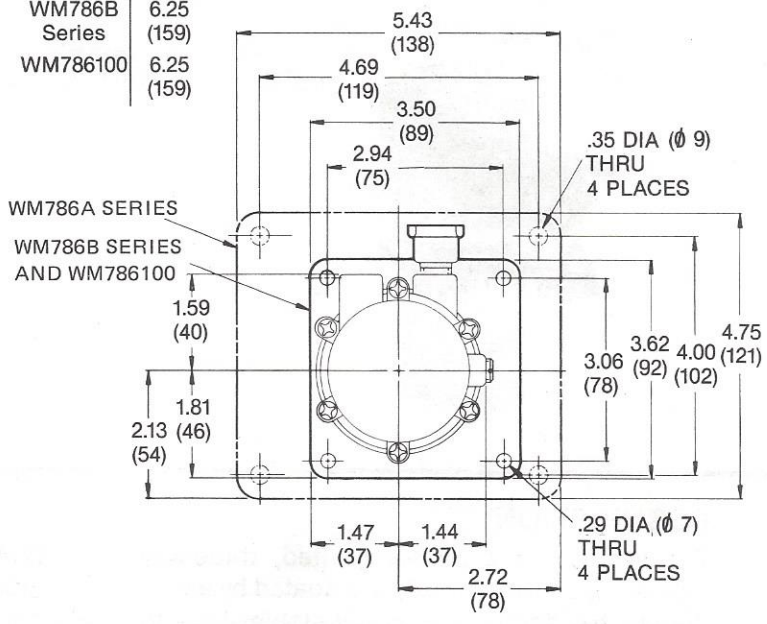
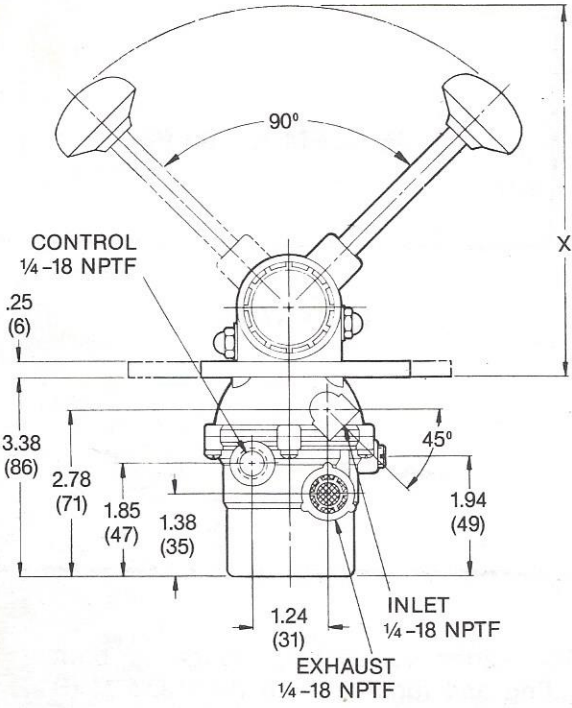
PORT SIZES	1/4-18 NPTF
MAXIMUM SUPPLY PRESSURE	200 PSI (1378,0 kPa)
OPERATING TEMPERATURE	-20°F to 200°F (-28,9°C to 93,3°C)
FLOW RATING	35 SCFM @ 100 PSI (1 m³/min @ 690 kPa)
HANDLE MOVEMENT	90° Maximum
MOUNTING	Panel Mounted
MOUNTING ATTITUDE	Optional
MATERIALS: Body Castings	Die Cast Zinc Alloy
Poppets and Seals	Buna N
Knob	Black Plastic
Mounting Plate	Irridited Aluminum
WEIGHT	3.4 lbs. (1,5 kg)

119879

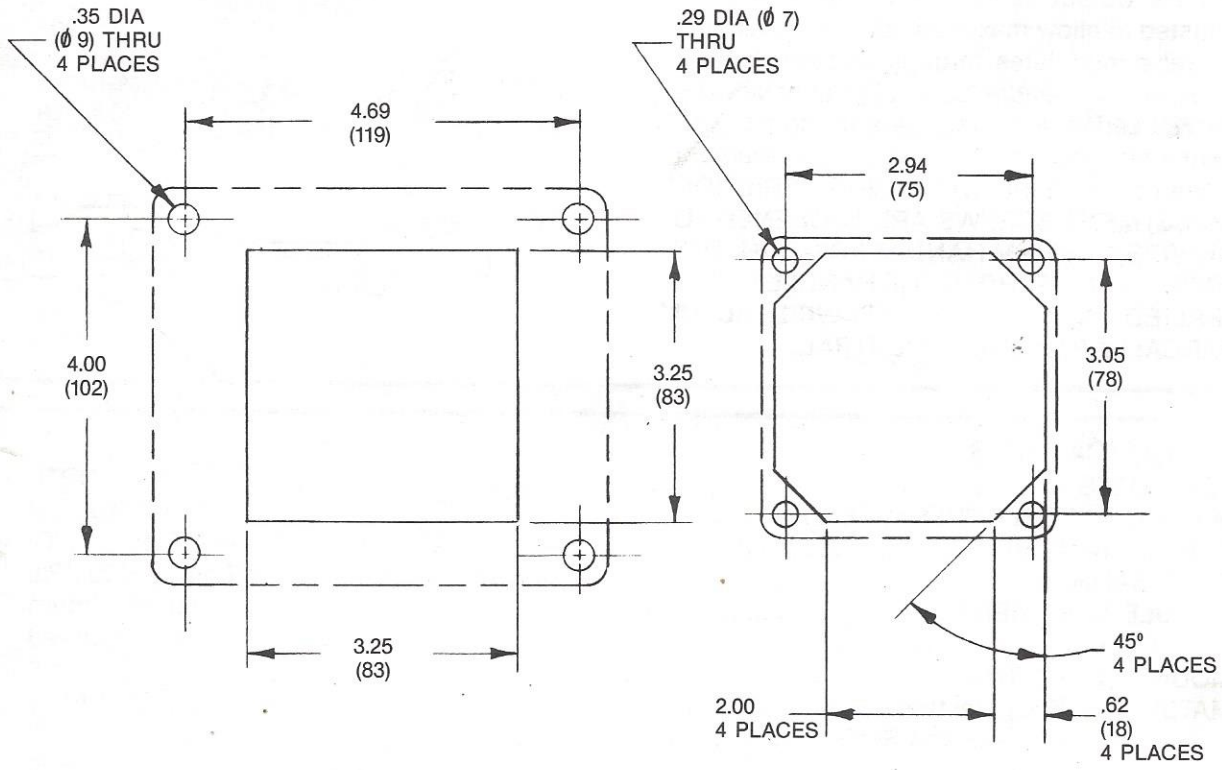
REV. D 4/86
COPYRIGHT 1986 BY DANA CORPORATION

DIMENSIONAL DATA

MODEL	X
WM786A Series	7.38 (187)
WM786B Series	6.25 (159)
WM786100	6.25 (159)



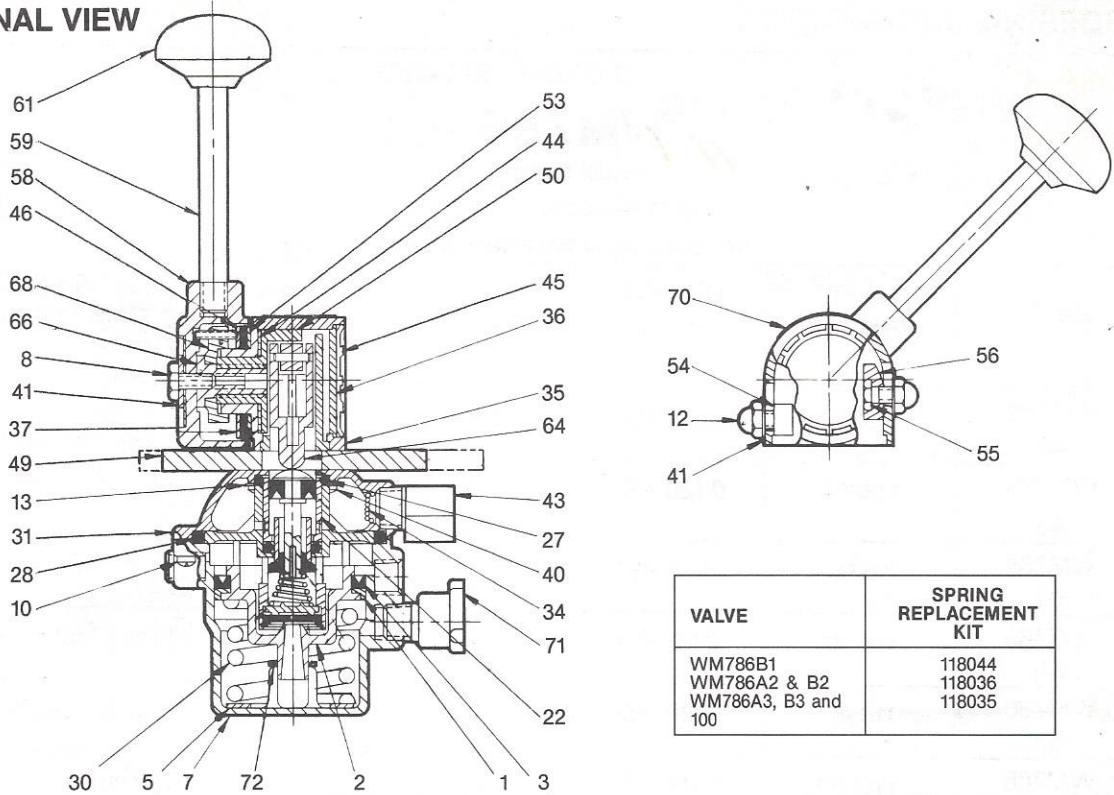
HOLE PATTERN AND MOUNTING CUTOUT



WM786A SERIES

WM786B SERIES AND WM786100

SECTIONAL VIEW



VALVE	SPRING REPLACEMENT KIT
WM786B1	118044
WM786A2 & B2	118036
WM786A3, B3 and 100	118035

PARTS IDENTIFICATION								
ITEM	DESCRIPTION	WM786A2	WM786A3	WM786B1	WM786B2	WM786B3	WM786100	QTY
*1	Thrust Ring	101369	101369	101369	101369	101369	101369	1
2	Balance Piston	116801	116801	116801	116801	116801	116801	1
*3	U-Cup	116335	116335	116335	116335	116335	116335	1
5	Washer	116803	—	116803	116803	—	—	1
7	Outlet Body	119144	119144	119144	119144	119144	119144	1
8	Screw	101350	101350	101350	101350	101350	101350	1
10	Screw	118445	118445	118445	118445	118445	118445	6
12	Cap Nut	114618	114618	114618	114618	114618	114618	2
*13	Seal Washer	116488	116488	116488	116488	116488	116488	4
22	Cartridge Assy	101355	101355	101355	101355	101355	101355	1
*27	O-Ring	116318	116318	116318	116318	116318	116318	1
*28	O-Ring	118269	118269	118269	118269	118269	118269	1
30	Spring	101692	101367	103104	101692	101367	101367	1
31	Inlet Body	118795	118795	118795	118795	118795	118795	1
34	Screen	116456	116456	116456	116456	116456	116456	1
35	Cam Housing	103609	103609	103609	103609	103609	118352	1
36	Closure Plate	101354	101354	101354	101354	101354	118387	1
*37	Disc	103224	103224	103224	103224	103224	103224	1
40	Screw	114857	114857	114857	114857	114857	114857	4
41	Washer	115079	115079	115079	115079	115079	115079	3
43	Pipe Ell	115223	115223	115223	115223	115223	115223	1
*44	Inner Friction Disc	101347	101347	101347	101347	101347	101347	1
*45	Retaining Ring	116218	116218	116218	116218	116218	116218	1
46	Friction Ring	101345	101345	101345	101345	101345	101345	1
49	Mounting Plate	118348	118348	118570	118570	118570	118570	1
50	Cam	101690	101341	101690	101690	101341	101341	1
*53	Outer Friction Disc	101346	101346	101346	101346	101346	101346	1
54	Maximum Stop	103350	103350	103350	103350	103350	103350	1
55	Insert	103351	103351	103351	103351	103351	103351	1
56	Minimum Stop	103352	103352	103352	103352	103352	103352	1
58	Handle Base	118571	118571	119044	119044	119044	118571	1
59	Handle Stem	118347	118347	118346	118346	118346	118346	1
61	Knob	118344	118344	118345	118345	118345	118345	1
64	Cam Follower Assy	104774	104774	104774	104774	104774	104774	1
66	Screw	101348	101348	101348	101348	101348	101348	1
68	Cam Retainer Assy	104980	104980	104980	104980	104980	104980	1
70	Label	118351	118351	118351	118351	118351	118351	1
71	WM111D	116714	116714	116714	116714	116714	116714	1
72	Spacer	—	118511	—	—	118511	118511	1

Service these units with repair kit 114471. *Item is included in repair kit.
 Repair kit also includes parts to service cartridge assembly (item 22).

ORDERING INFORMATION

TO ORDER, SPECIFY

WM786 _____

Model Number Suffix

PART NUMBER _____

SELECT SUFFIX AND PART NUMBER BELOW

SUFFIX	PART NUMBER	OUTPUT RANGE	MAXIMUM OUTPUT	KNOB & MNTG PLATE SIZE	CLOSURE PLATE & CAM HOUSING FINISH
WM786 A2	118337	0-90 PSI	95 PSI	Large	Flat Black Paint
WM786 A3	118338	0-120 PSI	Tank	Large	Flat Black Paint
WM786 B1	118340	0-60 PSI	65 PSI	Small	Flat Black Paint
WM786 B2	118341	0-90 PSI	95 PSI	Small	Flat Black Paint
WM786 B3	118342	0-120 PSI	Tank	Small	Flat Black Paint
WM786 100	118569	0-115 PSI	Tank	Small	Chrome

WILLIAMS AIR CONTROLS, DANA CORPORATION

14100 SW 72ND AVENUE, PORTLAND, OREGON 97224, TEL: (503) 639-3151, TELEX: 15-1145