

Guide-pair 150 mm

Guide-pair 150

REF 156 00 45

The guide-pair 150 is an optional component of the VacuDAP dose / dose area product measuring system and is suitable for the following measuring chambers:

- **REF** 156 00 04
- **REF** 156 00 05
- **REF** 156 00 06
- **REF** 156 00 07
- **REF** 156 00 10
- **REF** 156 00 13
- **REF** 156 00 14
- **REF** 156 00 15
- **REF** 156 00 17
- **REF** 156 00 18
- **REF** 156 00 93
- **REF** 456 00 14
- **REF** 456 00 15

The guide-pair is made of aluminum and powder-coated. The guide rails are fastened with screws to the housing of the measuring chamber.

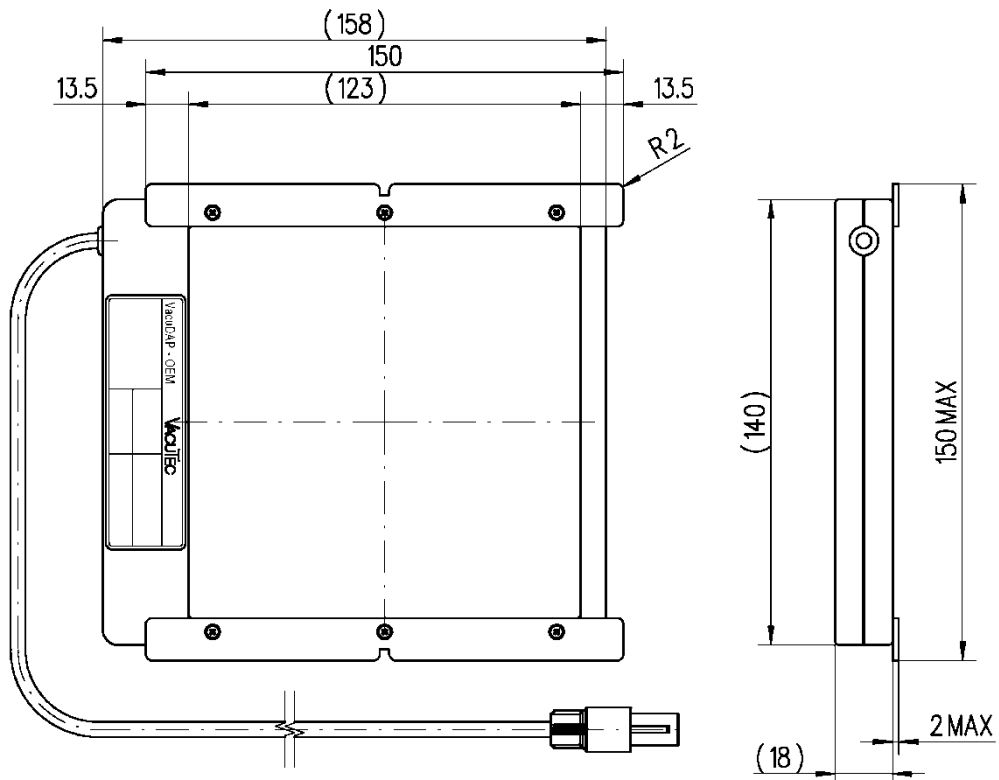
Guide-pair 150

REF 156 00 45

Mechanical data

Example: dimensions with **REF** 156 00 15

dimensions in mm



Only values given with tolerance ranges, or limits are guaranteed. All other values are for information only. Subject to change.

156DB45E

Revision A