

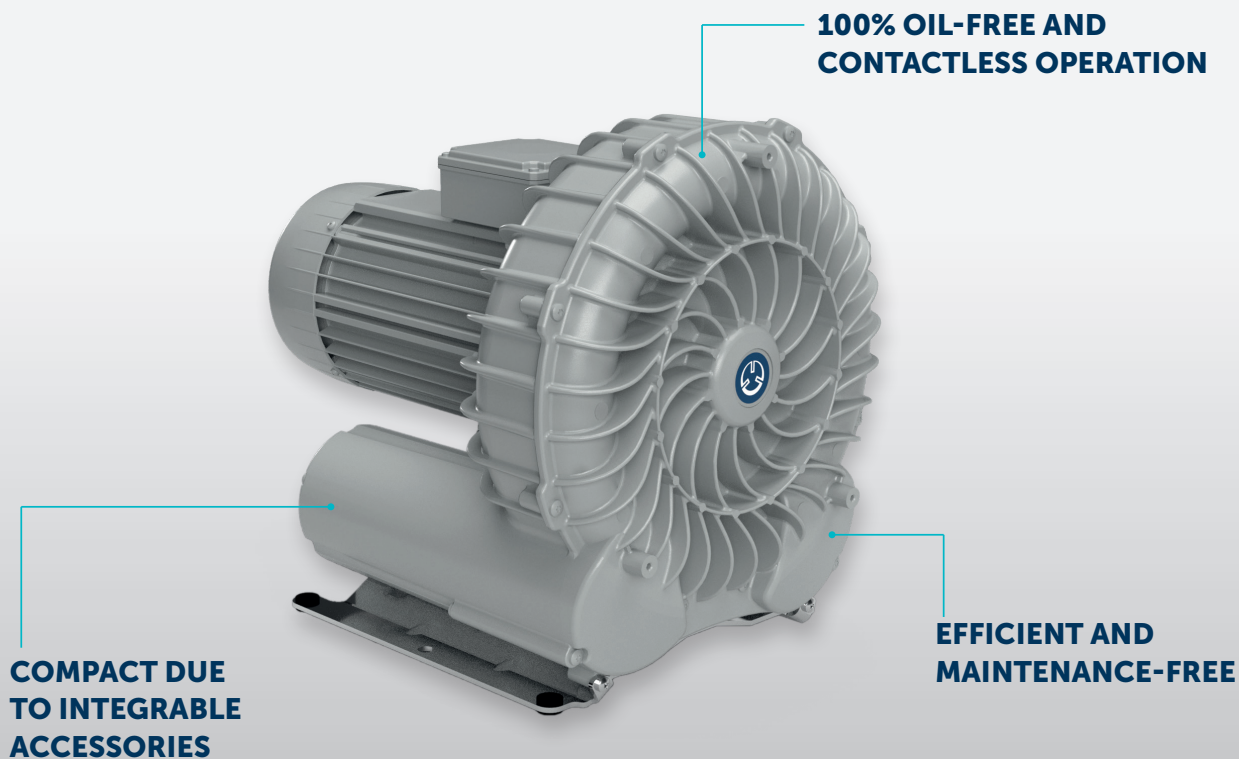
DATA SHEET

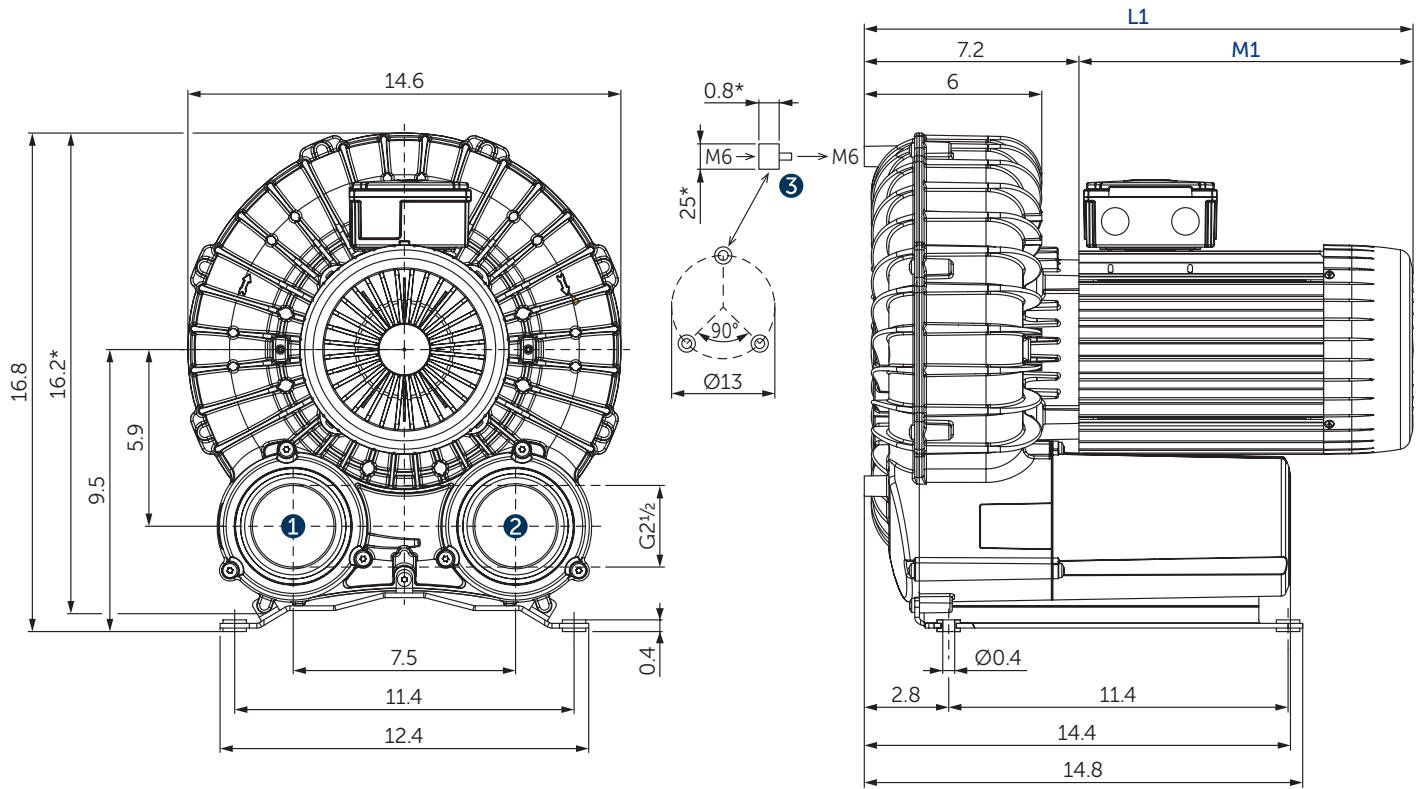
SV 300/1

SIDE CHANNEL BLOWERS

single stage
air-cooled

MAKE IT BECKER.





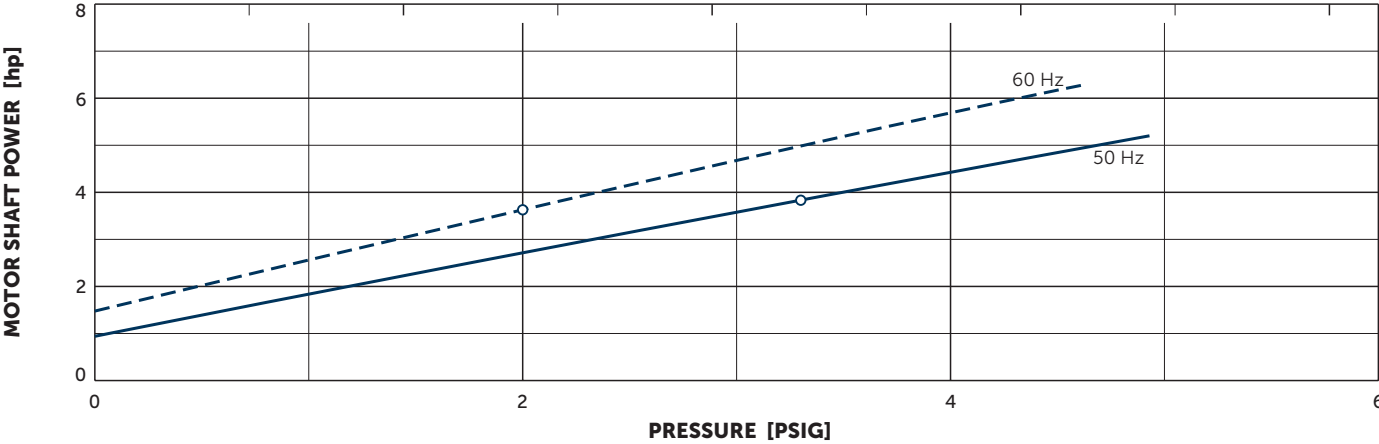
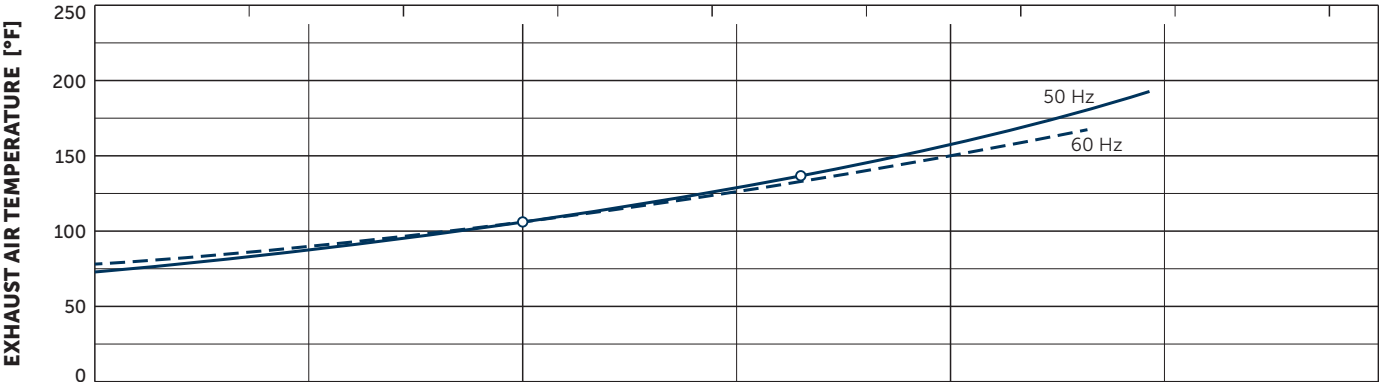
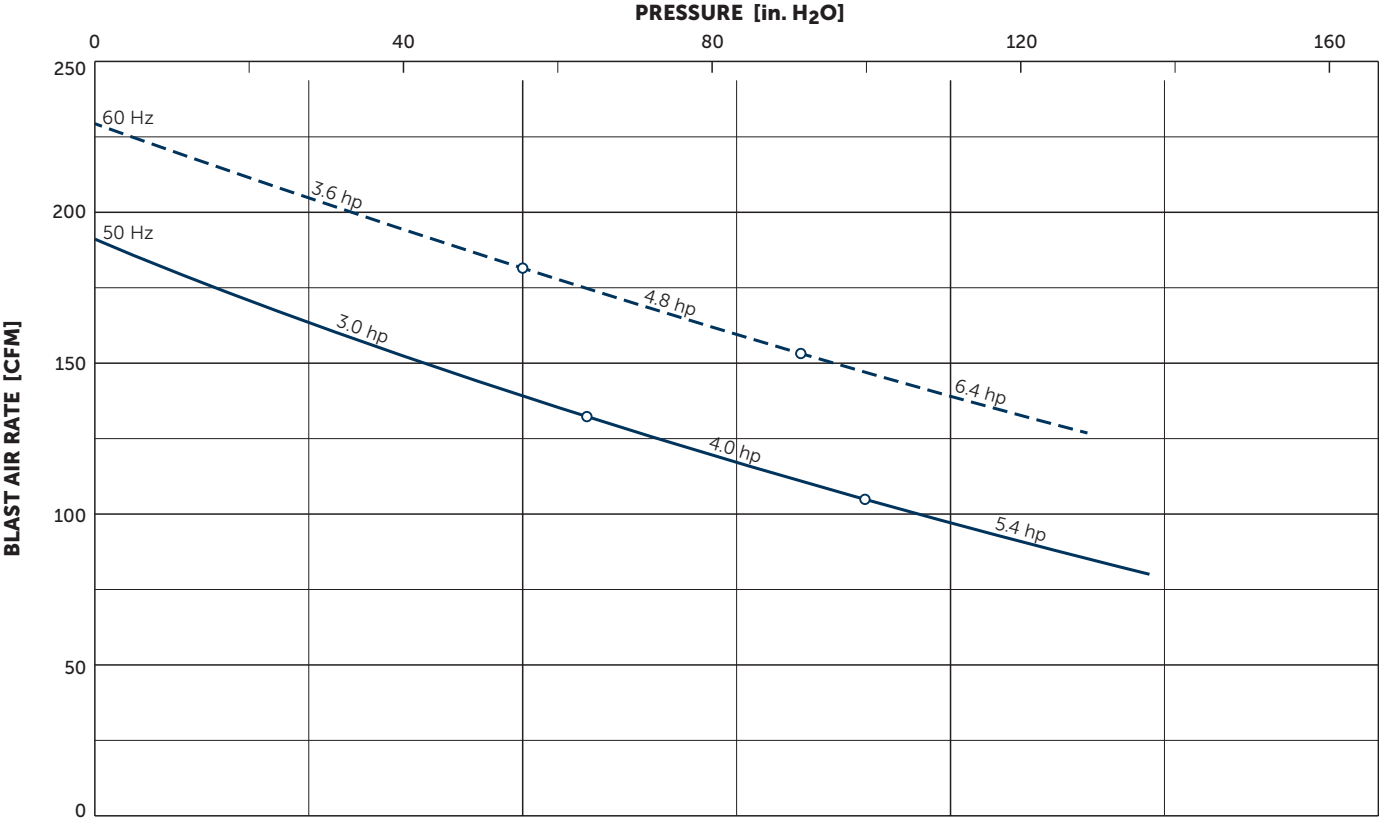
- 1 Vacuum connection (G2^{1/2})
- 2 Pressure connection (G2^{1/2})
- 3 Optional vibration dampers (rubber buffer) for vertical installation
- L Blower length **L1** with motor

L1 and **M1** are variable, see separate motor specification sheet.

- * Device dimensions without pedestal under the silencer, with rubber buffers on the enclosure cover
- The motor illustration may vary
- Dimensions in inch

Blast air rate		Pressure				Installed motor power		Emission sound pressure level ¹⁾		Weight with motor
CFM		in. H ₂ O		PSIG		hp		dB(A)		lbs
50 Hz	60 Hz	50 Hz	60 Hz	50 Hz	60 Hz	50 Hz	60 Hz	50 Hz	60 Hz	
191	229	66.3	56.2	2.3	2.0	3.0	3.6	66.9 (46.2 in. H ₂ O)	68.9 (38.2 in. H ₂ O)	88.5
191	229	100.5	92.4	3.6	3.3	4.0	4.8	71.1 (66.3 in. H ₂ O)	69.4 (62.3 in. H ₂ O)	94.0
191	229	148.7	136.6	5.3	4.9	5.4	6.4	72.8 (102.5 in. H ₂ O)	73.4 (94.4 in. H ₂ O)	120.5

¹⁾ According to DIN EN ISO 11203, accuracy class of measurement: class 2, extended measurement uncertainty: 3 dB
 39.4 inch distance, at medium load, both connection sides piped
 ▪ Reference data (atmosphere): 0 in. HgV, 68°F; Tolerance: ±10%

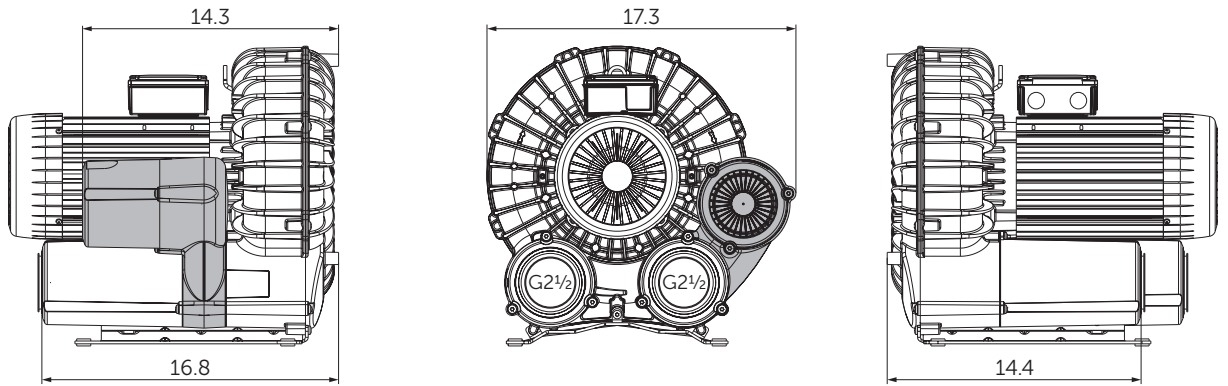


Reference data (atmosphere): 0 PSIG, 68°F

Tolerance: ±10%

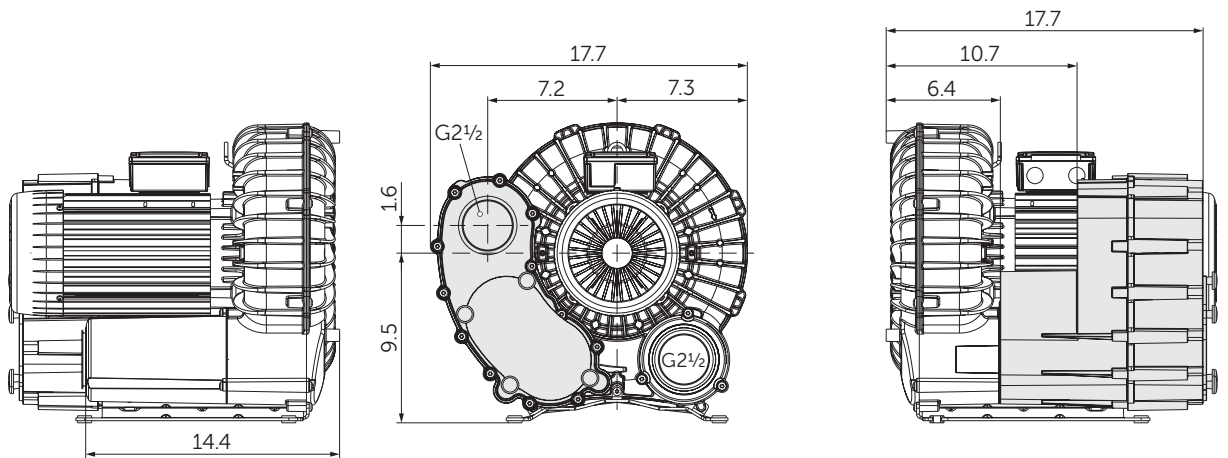
+ VARIANTS AND ACCESSORIES

PRESSURE SAFETY VALVE

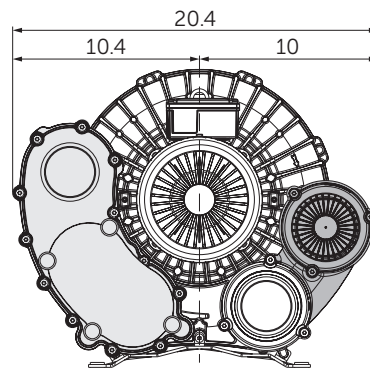


SUCTION FILTER

- Paper or polyester insert
- Space requirement for filter change approx. 11.8 inch



SUCTION FILTER AND PRESSURE SAFETY VALVE

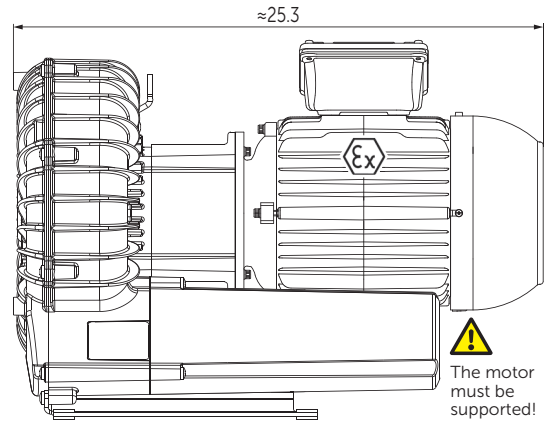


- Dimensions in inch – For other dimensions, see the figure on page 2.

SV 300/1 WITH ATEX MOTOR

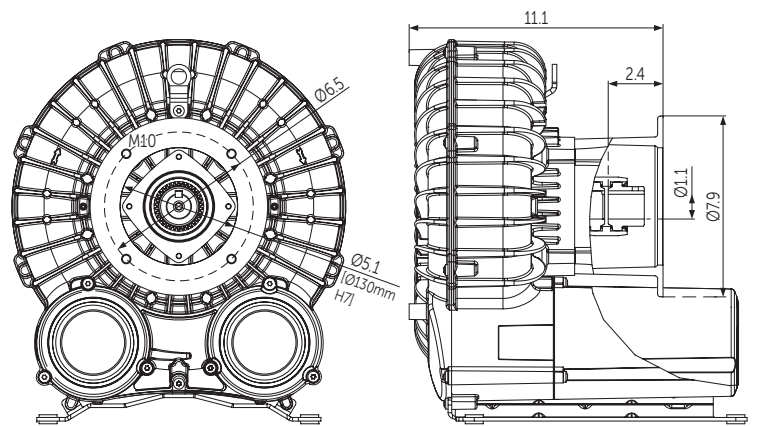
- With coupling for flange motor
- The motor must be supported!
- **Motor ATEX zone: Class 1 Div 2 Groups C&D II 1 G ia IIB**

hp	60 Hz		A	Version
	V	rpm		
5.5	Δ230/Y460	3515	13.3/6.67	UL • IP55 • ISO F
	YY208/Y –		14.8	PTC 155°C (311°F)



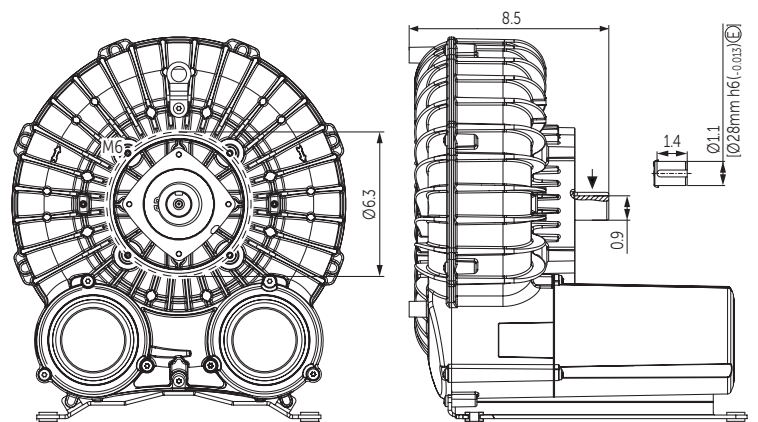
WITHOUT MOTOR

- With coupling for flange motor
- The motor must be supported!



WITHOUT MOTOR

- With free shaft end
- Max. 5600 rpm with V-belt pulley
- Possible performance data see VARIAIR SV 300/1¹⁾



OTHER VARIANTS AND ACCESSORIES

- With increased corrosion protection
- VARIAIR SV 300/1 with frequency inverter for 87 Hz operation¹⁾
- VARIAIR SV 300/1 with frequency inverter for 100 Hz operation¹⁾
- VARIAIR SV 300/1 gas-tight (inert gases) with frequency inverter for 100 Hz operation¹⁾
- Sound proof box SH 18¹⁾

¹⁾ See separate data sheet
 • Type plate data on current consumption and rotation speed of the motors may vary. Tolerance -1.5/+2% in each case. The motor illustration may vary.
 • Dimensions in inch – For other dimensions, see the figure on page 2.



Sound proof box SH 18

MAKE IT BECKER.

HOMEPAGE
SV SERIES



DOWNLOAD
MOTOR SPECS.



ONLINE SHOP
SV 300/1



www.beckerpumps.com
www.becker-international.com

