

o/c indicator (for a250 psp-5 with mb-1)

A250 Limit Switch Boxes

PROVAL A250 Series limit switch boxes are used on rotary valve actuators to generate open/close signal and monitor the valve position.

Technical Specifications,

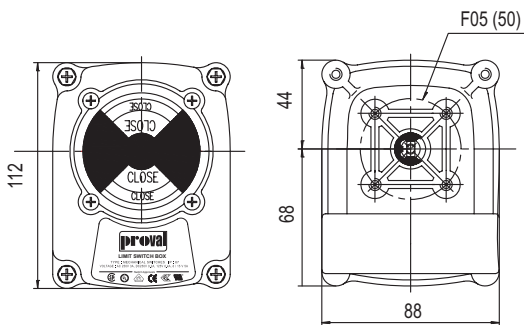
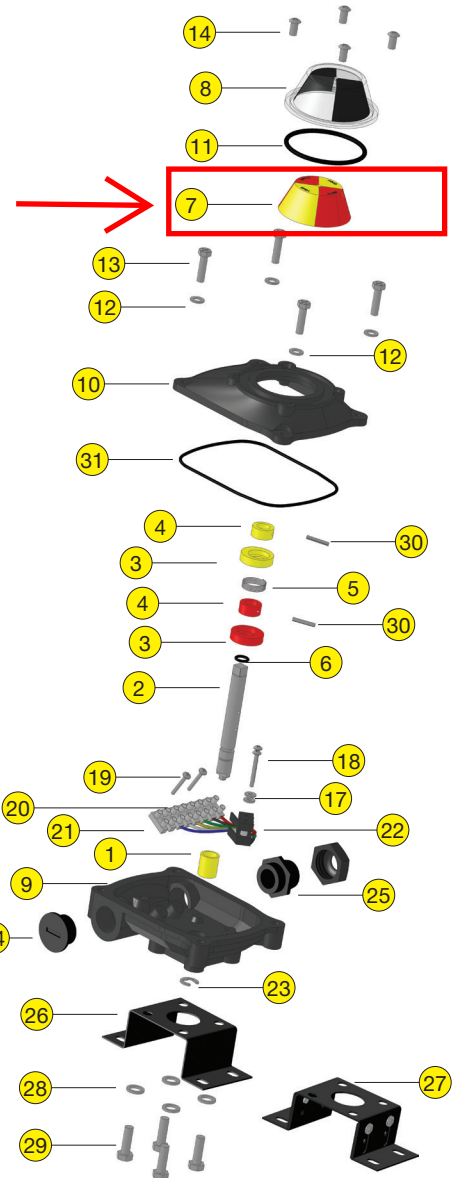
- * 3D continuous visual position indicator
- * Easy adjustable spring forced CAM system
- * Standard IP67 enclosure
- * 2 pcs Open/Close mechanical or proximity switches
- * Easy adjustable brackets and suitable for all NAMUR VDI/VE interface actuators
- * 8 strips on terminal box allows direct connection of solenoid valve inside the switch box.



A250 PSM-PSP
Standard Switch Boxes

No	Part Name	Material	Qty
1	Spacer	Brass	1
2	Stem	SS420	1
3	Cam-1	Delrin	2
4	Cam-2	Delrin	2
5	Spring	SS420	1
6	Stem O-Ring	NBR	1
7	O/C Indicator	ABS	1
8	Indicator Glass	ABS	1
9	Body	Alu Die Cast	1
10	Cap	Alu Die Cast	1
11	Cam O-Ring	NBR	1
12	Washer	SS304	4
13	Cap Screw	SS304	4
14	Cam Screw	SS304	4
15	Switch		2
16	Switch Spacer	Plastic	2

No	Part Name	Material	Qty
17	Washer	SS304	2
18	Switch Screw	SS304	2
19	Terminal Screw	SS304	2
20	Terminal	Plastic	1
21	Terminal Cable Screw	SS304	16
22	Cable Set		1
23	Circlip	SS304	1
24	Blind Plug	Plastic	1
25	Plug	Plastic	1
26	MB1 Bracket	Steel	1
27	MB2 Bracket	Steel	1
28	Adjustment Washer	SS304	4
29	Bolt	SS203	4
30	Cam Pin	Mild Steel	2
31	Body Seal	NBR	1



Model	Switch Brand	Switch Type
A250 PSM-1	Zippy	Micro
A250 PSM-2	Crouzet	EF83161.3
A250 PSP-1	P+F	NBB2-V3-E2
A250 PSP-2	P+F	NJ2-V3-N
A250 PSP-3	P+F	SJ3,5-N
A250 PSP-4	IFM	IS5076
A250 PSP-5	P+F	NBB3-V3-Z4

Other switch models are available on request

Bracket Dimensions

Model	Bracket Type	Mounting Dimensions
MB-1		30x80 H: 20
MB-2		30x80 - 30x130 H: 20-30 Adjustable
MB-3		30x80 - 30x130 H: 40-50 Adjustable

