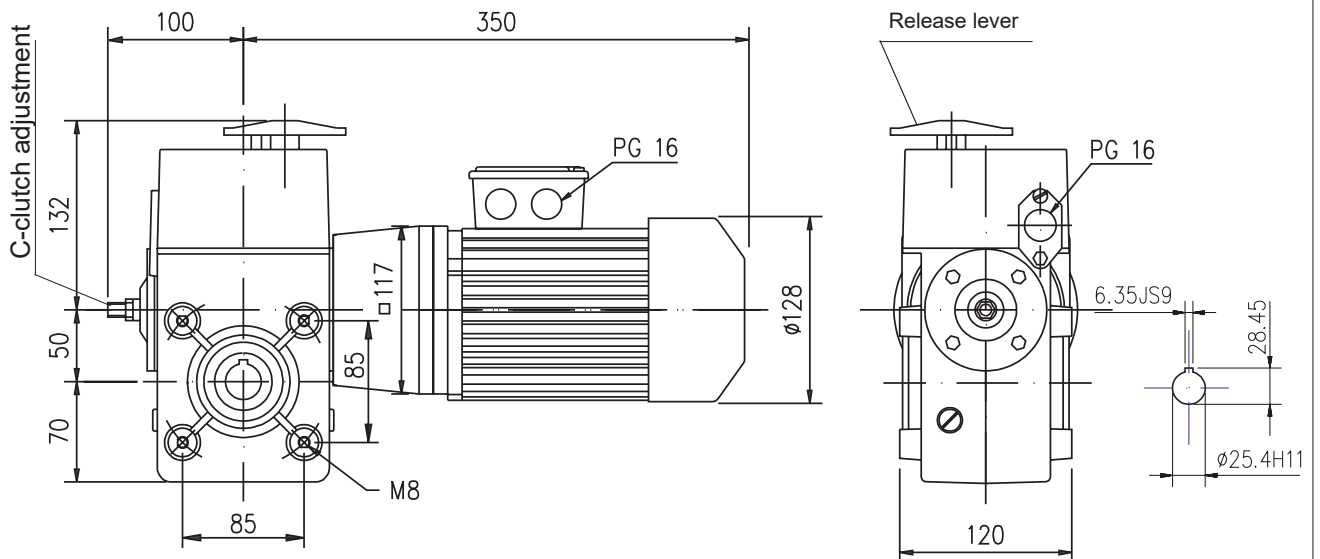


DOOR OPERATOR

TEMEC TVRFC 5 Z7MJ

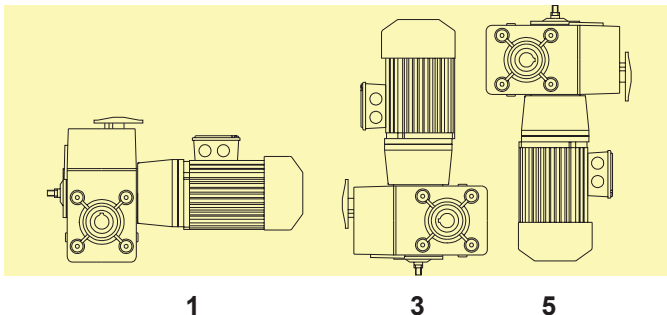
84V7/7436



Gear TV			3~400 V 50 Hz Brakemotor MJ 7436				
RPM	Transmission ratio i	Nominal torque ^{*)} Nm	Effect kW	RPM	Current A	S3 %	Thermal relay setting A
22	62:1	90	0,55	1370	2,5	25	≤ 2,5
28	45:1	75					
43	29:1	62					
70	36:2	45					
94	29:2	40					
154	36:4	27					

*) Starting torque = 1.6 x Nominal torque

Mounting:



Transmission ratios of limit switches

Transmission ratio	Max. number of revolutions of the output shaft
14:1	12,5
25:1	22,5
38:1	33,5