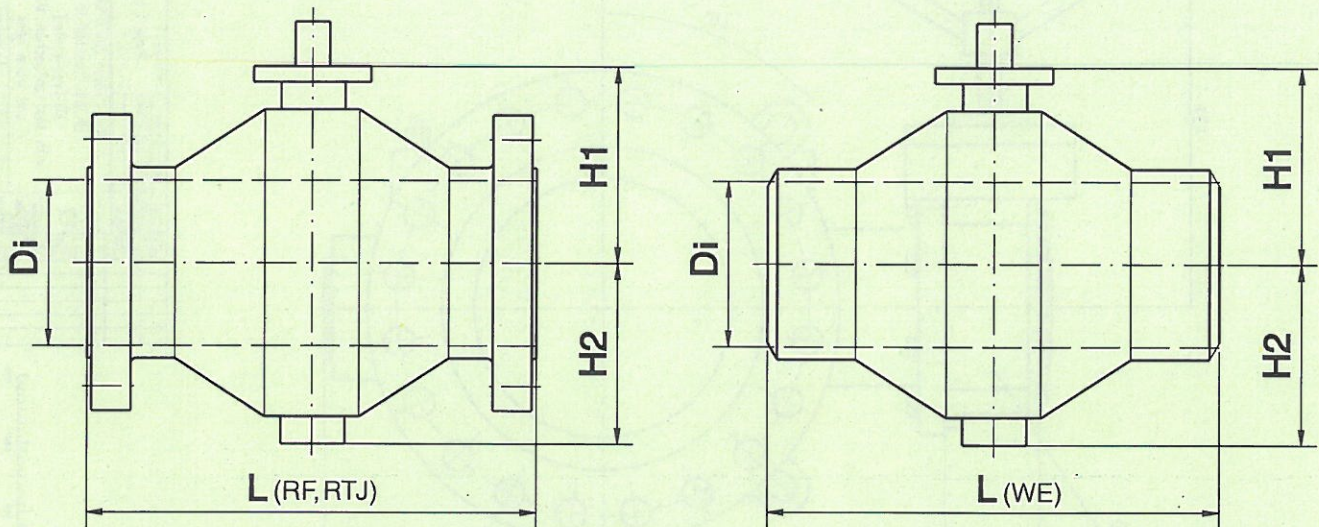


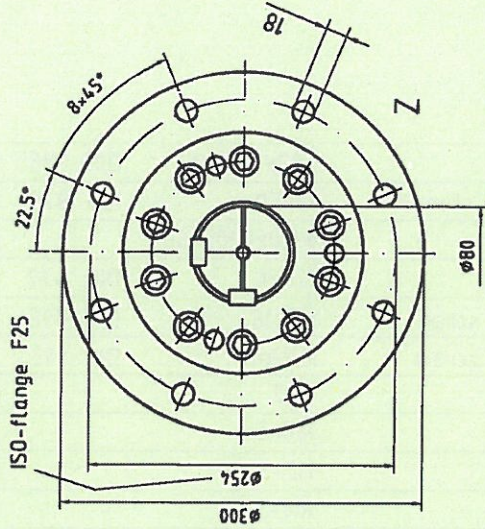
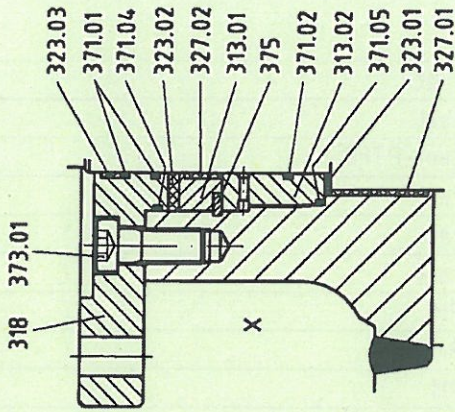
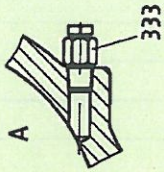
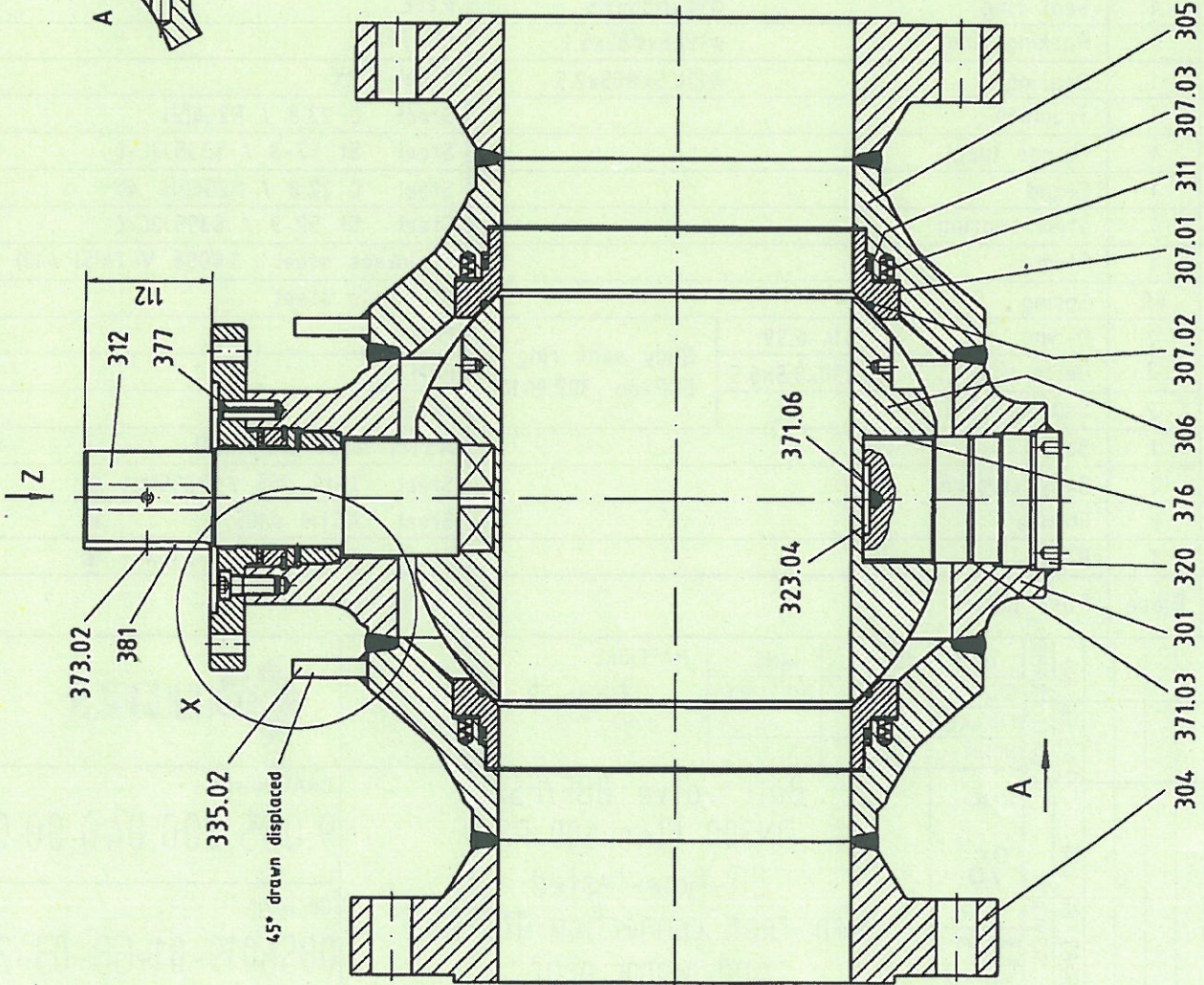
# ANSI Class 600 PN 100<sup>1</sup>



Nennweite Nominal size		Durchmesser Diameter	Baulänge Face to face dimensions			H1	H2	Gewicht [kg] Weight [kg]	
DN			L(RF)	L(RTJ)	L(WE)			Flansch Flange	Schweissende Welded-ends
mm	inch	mm	mm	mm	mm	mm	mm		
25	1	25	216	216	216	55	29	6	3
50	2	51	292	295	292	78	61	17	10
80	3	78	356	359	356	160	116	41	32
100	4	102	432	435	432	192	135	72	56
150	6	152	559	562	559	228	178	147	115
200	8	203	660	663	660	295	224	270	225
250	10	254	787	791	787	343	275	430	365
300	12	305	838	841	838	403	320	690	605
350	14	336	889	892	889	451	363	980	830
400	16	387	991	994	991	492,5	400	1310	1080
450	18	438	1092	1095	1092	548	458	1770	1490
500	20	489	1194	1200	1194	603,5	504	2210	1830
550	22	540	1295	1305	1219	649	551	2720	2250
600	24	591	1397	1407	1245	688	594	3150	2550
700	28	686	1549	1562	1295	742	661	4380	3610
750	30	736	1651	1664	1346	785	711	5380	4470
800	32	781	1778	1794	1397	852	774	6150	5050
900	36	876	2083	2099	1499	912	830	8700	7050

<sup>1</sup> DIN face-to-face dimensions are deliverable as well. Specifications subject to changes without notice.






- Gas-design -
- anti-static-design -
- operative range = -10°C up to +100°C -
- coating according order -

Fire-safe-design with certificate according to BS 6755: Part 2, 1987

JOB NO.		DATE		MATERIAL		Page 2 of 3	
DRAWN	REV.	CHECKED	DATE	NAME	SCALE	BY	DATE
TEST CONTENT				Tests according to DIN 3220 part 5 PG 3 / API 6 D			
● with material-test certificate according EN 10204-3.1/3.2				● with material-test certificate according EN 10204-3.1/3.2			
DRAWING-NR.		9.085.300.04.0.00.01		DOCU-NR.		0856019-01-GB-02-20	
EXPL-NR.		085.33300100.6019		EXPL-NR.		085.33300100.6019	

381	2	Feather key	C22x14x110	DIN 6885	Steel
377	3	Spring dowel sleeve	16x50	ISO 8752	Steel
376	1	Bearing	Ø110xØ105x60		Steel-PTFE
375	1	Retaining ring	120x4	DIN 472	Steel
373.02	2	Socket head screw	M6x16	DIN 7984	Steel
373.01	10	Socket head screw	M16x40	DIN 912	Steel
371.06	1	O-ring	11-2		FPM
371.05	1	O-ring	108-3		FPM
371.04	1	O-ring	113-3		FPM
371.03	1	O-ring	100-3		FPM
371.02	1	O-ring	85-3		FPM
371.01	2	O-ring	85-3		FPM
35.02	4	Lifting lug			Steel
333	1	Bleeder plug	1/2 NPT		Stainless steel
327.02	1	Bearing	Ø90xØ85x17.5		Steel-PTFE
327.01	1	Bearing	Ø105xØ100x45		Steel-PTFE
323.04	1	Bearing			Bronze
323.03	1	Seal ring	Ø90xØ85x9.5		PTFE
323.02	1	Packing ring	Ø119.8xØ85x5.1		GRAPHITE
323.01	1	Bearing	Ø104.5xØ85x2.5		Steel-PTFE
320	1	Trunnion			Steel C 22.8 / P250GH
318	1	Flange (peg)			Steel St 52-3 / S355J2C+C
313.02	1	Gland			Steel C 22.8 / P250GH ⊕
313.01	1	Stem bearing			Steel St 52-3 / S355J2C+C
312	1	Stem			Stainless steel 1.4006 V (AISI 410)
311	40	Spring			Stainless steel
307.03	2	O-ring	314-6.99	Body seat ring EDP-no. 307.9414	FPM
307.02	2	Delta-ring	330x5.5x6.5		FPM
307.01	2	Support ring			Steel
306	1	Ball			ASTM A350/LF2, ENP
305	2	Body closure			Steel TStE 355 / P355NL1 ⊕
304	2	Flange			Steel ASTM A105 ⊕
301	1	Body			Steel TStE 355 / P355NL1 ⊕
Pos.-no.	Piece	Part name			Material

7	6	5	4	3	2	1	N°	was Rz63, BR 400	22.3.06	Ko	NAME	2003	DATE	NAME	MATERIAL		
												DRAWN	01.07.	Kohtsieper	Page 3 of 3		
												CHECKED					
												NORM					
SCALE												Ball valve BBF/FSA DN300 Class600-RF EG-type-tested with test connection 1/2 NPT and worm gear				DRAWING-N°: 9.085.300.040.00.01	
DIMENSIONS WITHOUT TOLERANCES ACC.TO: DIN ISO 2768 1,1-M DIN ISO 2768 12-K DIN 1683												ALL RIGHTS IN THIS DRAWING RESERVED, ALSO IN CASE OF PATENT OR DESIGN REGISTRATION				REPLACEMENT FOR: REPLACED BY:	DOCU-N°: 0856019-01-GB-03-2D
																EDP-N°: 085.35300100.6019	