



V.le Certosa 8/B - 27100 Pavia Italy  
 Tel. ++39 382 529564 - 422372  
 Fax. ++39 382 527041  
 E-Mail: info@elmoitaly.com

SUBMERSIBLE MOTORS FOR HYDRAULIC LIFTS

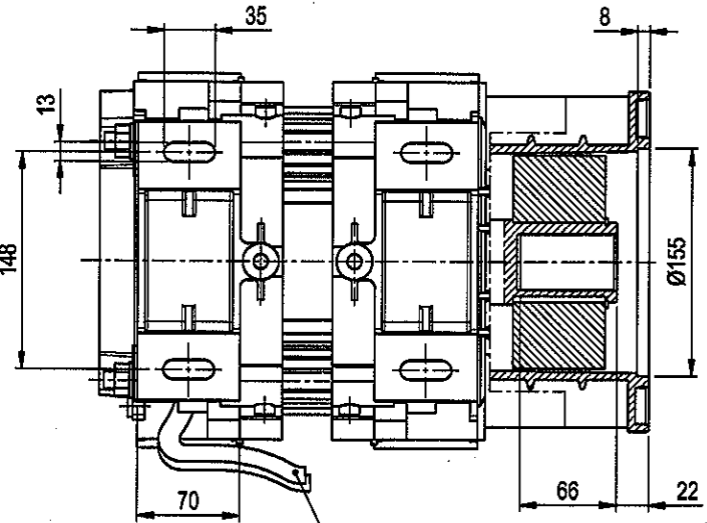
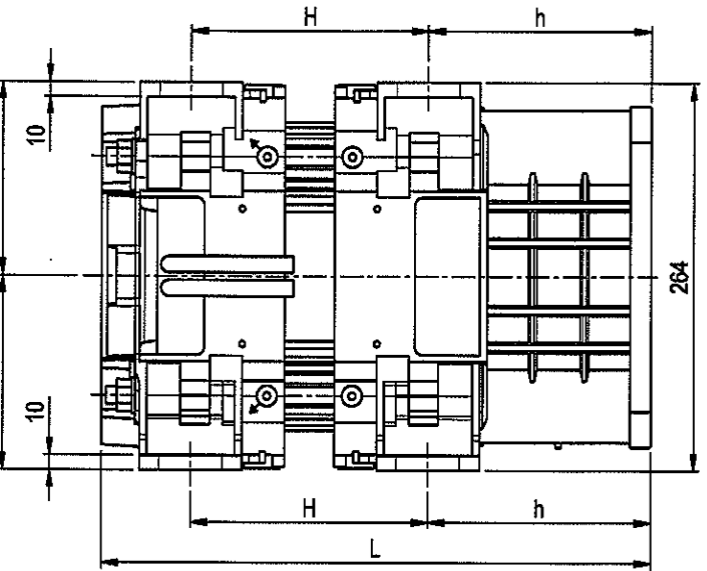
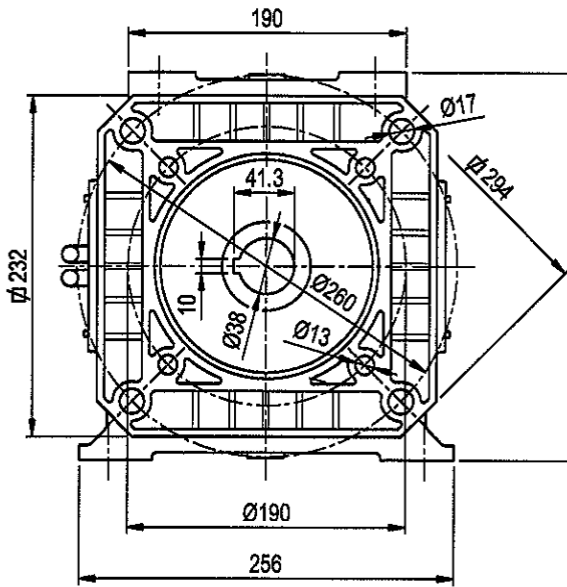
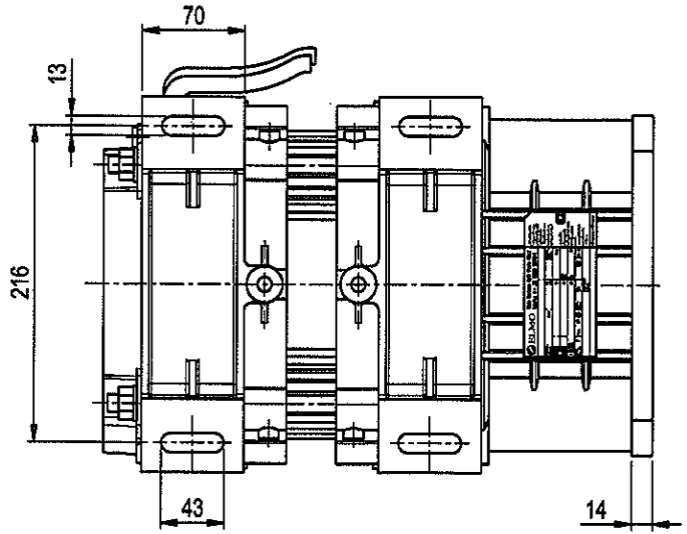
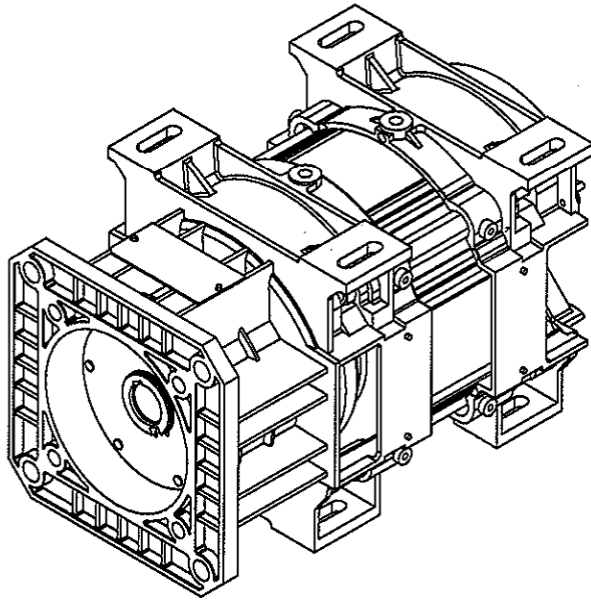
MOTORS SIZE 2

Shaft / hole Ø38 mm. Flange Ø155 mm.

50 Hz  
 J792K-T-NE-  
 0510-19

MOTORI TRIFASI THREE PHASE MOTORS DREIPHASEENMOTOREN MOTEURS TRIPHASES

LA ELMO S.r.l. SI RISERVA IL DIRITTO DI APPORTARE QUALSIASI VARIAZIONE SENZA ALCUN PREAVVISO. IN ANY MOMENT AND WITHOUT NOTICE ELMO CAN CHANGE MANUFACTURING PROCESS, PERFORMANCE FEATURES.



MOTORS COMPLETE WITH FLYWHEEL

TIPO - TYPE	GRANDEZZA - ACCOPPIAM. SIZE - SUITABLE TO	POLARITA' - POLES	SERIE - INTERNAL SERIES	POTENZA A 50 Hz NOMINAL OUTPUT AT 50 Hz		TRIFASE - THREE PHASE	TENSIONE VOLTAGE	50 Hz - CYCLES AT 50 Hz	ATTACCHI - FEET	TERMINALI - LEAD TERMINAL	DIMENSIONI DIMENSION				POTENZA A 50 Hz NOMINAL OUTPUT AT 50 Hz
				KW	HP						L	h	H	HP	
J	7	Ø	2	K	3 6 8	T		N	Π		460	152	247	5 0 -	
					4 4 1						485		272	6 0 -	
					5 1 5						525		312	7 0 -	
					5 8 8						525		312	8 0 -	

m. 2.00 LUNGH. STANDARD CAVI ALIMENTAZIONE  
 STANDARD LEADS LENGTH