

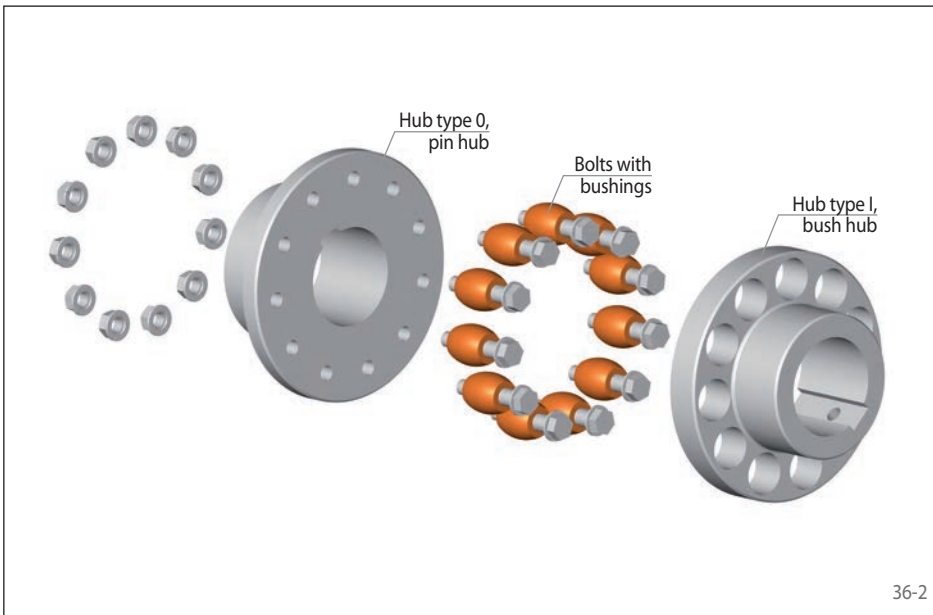
elastic
lubrication-free



36-1

Features

- Vertical/horizontal mounting
- Adsorbs vibrations
- Progressive torsion spring properties due to primarily pressurised bushings
- Fail-safe in the event of the failure of the bushings
- Easy replacement of bushings without disassembly of the coupling halves
- Maintenance free, no lubrication necessary
- Declaration of conformity in accordance with ATEX 2014/34/EU possible
- Typical applications: Pump drives, belt drives, ventilators, general mechanical engineering



36-2



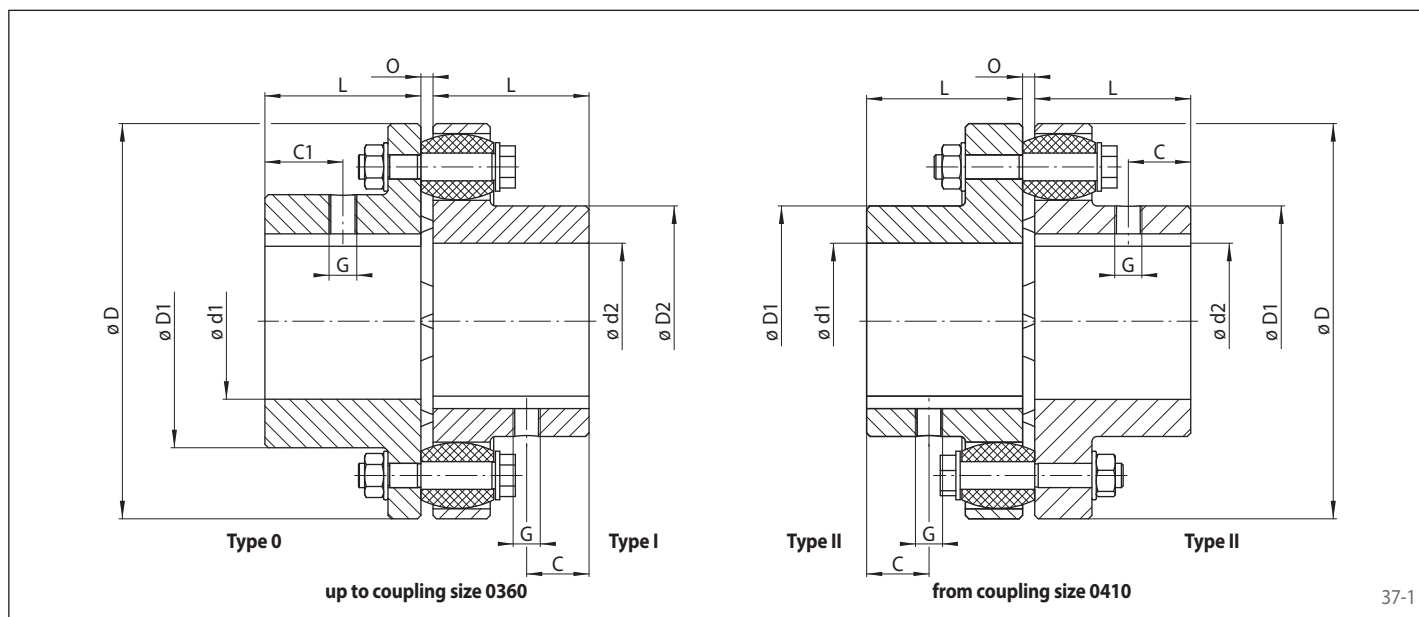
36-3

Order example

Order example	Code
Coupling design	REB
Coupling size	0105
Type	DCO
Material of the hub:	GJL
• Cast iron	
Hub 1, type:	
• 0, standard, pin hub (up to size 0360)	0
• II, standard, pin and bush hub (from size 0410)	2
Hub 1, design:	
• finish bored with keyway	FB
• roughbored	VA
Bore diameter d1	030
Hub 2, type:	
• I, standard, bush hub (up to size 0360)	1
• II, standard, pin and bush hub (from size 0410)	2
Hub 2, design:	
• finish bored with keyway	FB
• roughbored	VA
Bore diameter d2	028
Material of bushings:	
• NR 80 Shore-A	NR80
• PU 92 Shore-A	PU92
• HTrans	HT00

REB 0105 DCO-GJL-0FB030-1FB028-NR80

elastic
lubrication-free



37-1

Coupling size	Max. speed n_{max} min ⁻¹	Moment of inertia with max. bore J_k kgm ²	Min. bore $d1 / d2$ mm	Max. bore		D mm	D1 mm	D2 mm	C mm	C1 mm	L mm	O mm	Permissible misalignments			Weight with max. bore kg
				d1 mm	d2 mm								Axial mm	Radial mm	Angular °	
0105	7 200	0,003	11	32	30	105	50	48	12,5	22,5	45	2-6	2	0,3	1	2
0116	6 100	0,005	12	42	39	116	68	60	12,5	22,5	45	2-6	2	0,3	1	2,6
0125	5 500	0,007	14	50	45	125	78	68	15,0	25	50	2-6	2	0,4	1	3,1
0144	4 900	0,012	18	60	50	144	91	82	17,5	27,5	55	2-6	2	0,4	1	4,3
0162	4 500	0,030	22	65	60	162	100	89	17,5	30	60	2-6	2	0,4	1	7,5
0178	3 800	0,040	24	75	70	178	115	105	22,5	35	70	2-6	2	0,5	1	10
0198	3 400	0,062	28	90	80	198	135	124	27,5	40	80	2-6	2	0,5	1	13
0228	3 000	0,10	28	100	90	228	146	133	28,5	45	90	4-10	3	0,6	1	18
0252	2 700	0,17	38	115	105	252	167	156	33,5	50	100	4-10	3	0,6	1	24
0285	2 400	0,31	48	125	115	285	186	170	35,0	55	110	4-10	3	0,7	1	35
0320	2 100	0,53	55	135	125	320	212	196	42,5	62,5	125	4-10	3	0,7	1	51
0360	1 900	1,02	65	150	135	360	232	212	43	70	140	4-12	4	0,9	1	73
0410	1 700	1,70	75	160	160	410	230	-	57	-	160	4-12	4	1,1	1	101
0450	1 500	2,90	85	180	180	450	260	-	67	-	180	4-12	4	1,1	0,5	137
0500	1 350	4,70	95	200	200	500	290	-	77	-	200	4-12	4	1,1	0,4	180
0560	1 200	10,7	95	225	225	560	320	-	77	-	220	4-8	2	1,5	0,3	278
0630	1 050	17,4	100	250	250	630	355	-	87	-	240	4-8	2	1,5	0,3	365
0710	950	33,0	100	260	260	710	385	-	90	-	260	5-9	2	1,8	0,3	516
0800	850	53,0	100	280	280	800	420	-	105	-	290	5-9	2	1,8	0,3	691
0900	750	86,0	100	305	305	900	465	-	120	-	320	5-9	2	1,8	0,3	927
1000	680	142,8	125	320	320	1000	515	-	130	-	350	5-10	2	2,0	0,1	1 224
1120	600	231,0	135	350	350	1 120	560	-	140	-	380	6-11	2	2,2	0,1	1 584
1250	550	367,5	150	380	380	1 250	610	-	160	-	420	6-11	2	2,4	0,1	2 070
1400	490	693,0	175	440	440	1 400	700	-	180	-	480	6-12	2	2,7	0,1	3 060
1600	430	1 155	200	480	480	1 600	770	-	210	-	540	6-12	2	3,0	0,1	3 960
1800	380	2 205	225	540	540	1 800	870	-	230	-	600	8-16	2	3,4	0,1	5 760
2000	340	3 255	250	600	600	2 000	960	-	260	-	660	8-16	2	3,8	0,1	7 020

For finish bores, please specify diameter d1 and d2. Tolerance of finish bores H7. Keyways in accordance with DIN 6885, sheet 1.
The couplings can be momentarily overloaded at start-up by up to three times the nominal torque.
For vertical installation, please contact RINGSPANN.
See following pages for performance data.

Bushings



Bushing NR 80 Shore-A

Material: Natural rubber
 Hardness: 80 ±5 Shore -A
 Temperature range: -45 °C to +70 °C
 Colour: black

Coupling size	Nominal torque T_{KN} Nm	Nominal power at 100 min^{-1} P_{K100} kW	Max. torque T_{Kmax} Nm	Alter-nating torque T_{KW} Nm	Torsional stiffness $C_{T \text{ dyn}}$ Nm/rad x 10^3			Relative damping ψ at 0,5 T_{KN}
					1,0 T_{KN}	0,5 T_{KN}	0,25 T_{KN}	
0105	95	1,0	285	19	12	6	5	1,4
0116	146	1,5	438	29	21	11	8	
0125	166	1,7	498	33	27	14	10	
0144	318	3,3	954	64	59	32	22	
0162	520	5,5	1570	105	88	47	33	
0178	640	6,7	1920	129	126	70	37	
0198	1240	13	3740	250	279	155	82	
0228	2050	21	6100	410	406	225	119	
0252	3060	32	9200	614	689	382	202	
0285	4550	48	13600	910	1052	547	272	
0320	6000	64	18200	1220	1573	818	407	
0360	8900	93	26700	1780	2066	1075	535	
0410	12000	126	36100	2410	2485	1293	643	
0450	18600	195	55500	3720	4317	2246	1117	
0500	25800	270	77000	5160	6670	3470	1726	
0560	31000	325	93000	6201	7972	4148	2063	
0630	41900	440	125500	8400	9274	4825	2400	
0710	75000	785	225000	15000	14368	7475	3718	
0800	100000	1047	300000	20000	21608	11242	5591	
0900	154500	1623	464500	31000	37467	19493	9694	
1000	194500	2042	584500	38999	54012	28101	13975	
1120	269500	2827	809500	53999	70060	36450	18127	
1250	344500	3613	1034500	68999	99239	51631	25677	
1400	529500	5550	1589500	106000	152753	79473	39523	
1600	749500	7854	2249500	149999	242743	126292	62807	
1800	974500	10210	2924500	194999	318993	165963	82536	
2000	1299500	13614	3899500	259999	472441	245798	122239	



Bushing PU 92 Shore-A

Material: Polyurethane
 Hardness: 92 ±5 Shore-A
 Temperature range: -30 °C to +80 °C
 Colour: orange

Coupling size	Nominal torque T_{KN} Nm	Nominal power at 100 min^{-1} P_{K100} kW	Max. torque T_{Kmax} Nm	Alter-nating torque T_{KW} Nm	Torsional stiffness $C_{T \text{ dyn}}$ Nm/rad x 10^3			Relative damping ψ at 0,5 T_{KN}
					1,0 T_{KN}	0,5 T_{KN}	0,25 T_{KN}	
0105	143	1,5	429	29	11	9	6	0,5
0116	220	2,3	660	44	20	16	10	
0125	248	2,6	740	50	25	20	13	
0144	478	5,0	1430	96	55	44	30	
0162	790	8,3	2370	159	82	65	45	
0178	960	10,1	2890	193	105	85	62	
0198	1860	19,5	5500	372	230	186	136	
0228	3000	31,5	9000	602	326	264	193	
0252	4580	48,0	13700	917	562	455	333	
0285	6800	72,0	20600	1375	893	721	559	
0320	9100	96,0	27500	1834	1335	1078	836	
0360	13300	139,5	39900	2664	1754	1416	1098	
0410	18000	189,0	54000	3610	2110	1703	1321	
0450	27900	292,5	83500	5587	3666	2959	2295	
0500	38600	405,0	116000	7736	5664	4572	3546	
0560	46500	487,5	139500	9311	6770	5464	4238	
0630	63000	660,0	189000	12606	7876	6356	4930	
0710	112000	1177,5	337000	22490	12202	9847	7638	
0800	149500	1570,5	449500	29997	18350	14809	11487	
0900	232000	2434,5	697000	46499	31818	25678	19918	
1000	292500	3063,0	877500	58503	45868	37017	28713	

Bushings



39-1

Bushing HTrans

Material: Polyurethane
 Hardness: 55 ±2 Shore-D
 Temperature range: -30 °C to +120 °C
 Colour: white

Coupling size	Nominal torque T_{KN} Nm	Nominal power at 100 min^{-1} P_{K100} kW	Max. torque T_{Kmax} Nm	Alternating torque T_{KW} Nm	Torsional stiffness $C_{T \text{ dyn}}$ Nm/rad x 10^3			Relative damping ψ at 0,5 T_{KN}
					1,0 T_{KN}	0,5 T_{KN}	0,25 T_{KN}	
0105	287	3	860	57	28	25	20	0,43
0116	382	4	1140	76	43	38	31	
0125	382	4	1140	76	48	42	34	
0144	760	8	2290	153	110	96	79	
0162	1330	14	4010	267	172	150	123	
0178	1620	17	4870	325	213	186	151	
0198	3150	33	9400	630	471	411	335	
0228	5000	53	15100	1012	668	583	475	
0252	7600	80	22900	1528	1143	997	813	
0285	11400	120	34300	2292	1444	1197	952	
0320	15200	160	45800	3056	2159	1790	1424	
0360	22200	233	66500	4450	2836	2351	1871	